

Cold Applied Cap-ended Closure

TELECOM OUTSIDE PLANT

- Watertight cap-ended splice closure sealing aerial, underground and direct buried splices in unpressurised copper networks
- Versatile gel closure bringing new levels of installation convenience and application flexibility
- Easy re-entry and re-closure
- Cable configuration changes possible with a minimum of extra accessories
- Two sizes available covering a wide application range up to 100 pairs
- Multiple cable branching system : each of the cable ports is capable of single or multiple branching
- No special installation tools required
- Innovative cut-to-fix axial pull tapes providing mechanical cable retention
- Integrated mounting brackets
- Robust construction with high mechanical strength
- No restriction on shelf life



T 2 C C A P

T2C CAP



Kit content

- Sleeve body (2 halves)
- Multiple cable separator
- Bolts and washers
- Tie wraps
- Gel tape
- Cable retention tapes
- Measuring tape
- Cable branching spacers
- Blanking plugs
- Cleaning tissues
- Installation instruction
- Mounting bracket (optional)

Port seal kit

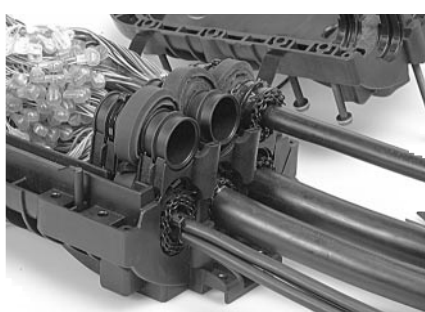
A port seal kit can be ordered to add or replace cables up to 5 cables in each of the cable ports.

Raychem reference: T2C-CAP-PS-INT

Kit content

- Gel tape
- Cable retention tapes
- Cable branching spacers
- Tie wraps
- Measuring tape
- Cleaning tissue
- Installation instruction

Installation steps



Sizing/ordering information

Description	Max. splice	Number of Cable ports	Max. cable diameter (mm)
T2C CAP 50	50 pair	4	28
T2C CAP 100	100 pair	6	28

Tyco Electronics Raychem NV

Telecom Outside Plant

Diestsesteenweg 692
3010 Kessel-Lo, Belgium

Tel.: 32-16 351 011

Fax: 32-16 351 697

www.tycoelectronics.com

Tyco is a trademark of Tyco International.

The information given herein, including drawings, illustrations and schematics which are intended for illustration purposes only, is believed to be reliable. However, Tyco Electronics makes no warranties as to its accuracy or completeness and disclaims any liability in connection with its use. Tyco Electronics' obligations shall only be as set forth in Tyco Electronics' Standard Terms and Conditions of Sale for this product and in no case will Tyco Electronics be liable for any incidental, indirect or consequential damages arising out of the sale, resale, use or misuse of the product. Users of Tyco Electronics products should make their own evaluation to determine the suitability of each such product for the specific application.

TC 555/DS/1 09/00