

FOMS-STORAGE

Patchcord storage shelf

The patchcord storage shelf is a mechanical shelf assembly for patchcord management in a rack environment.

The product has been designed to store overlength of patchcords in 19" equipment racks. Two versions are available: with or without roof.

The unit has the following features

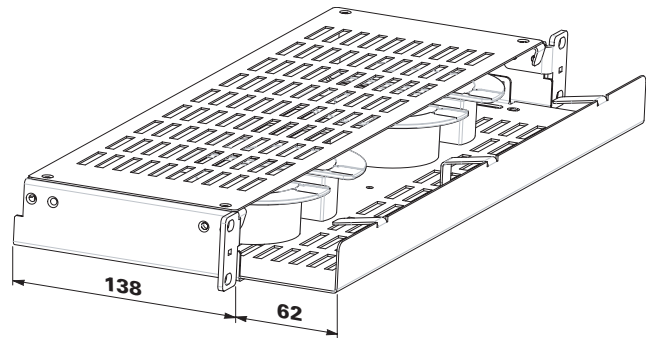
- 19" wide, 44 mm high (1U)
- ETSI mounting brackets are optional available
- Front or back mounting
- Front entrance and exit at the left and/or right
- Accommodates up to 24 patchcords of 3 m or 48 patchcords of 1.5 m
- Perforated roof and bottom tray to allow ventilation of active equipment
- Drums to ensure bend radius protection.

Dimensions and capacity

Dimensions (mm)	
Height	44
Width (with/without mounting brackets)	481/444
Depth	200
Capacity for 2,4m patchcords	24 x 3 m

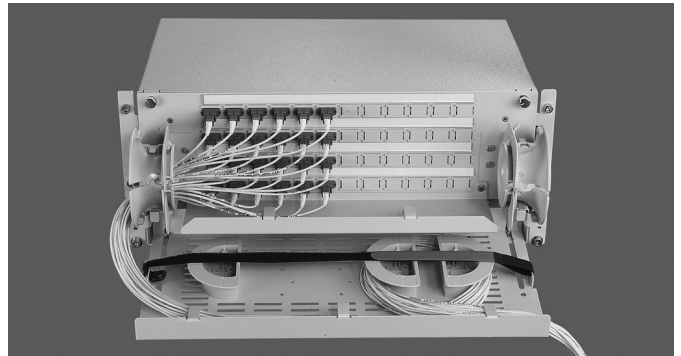
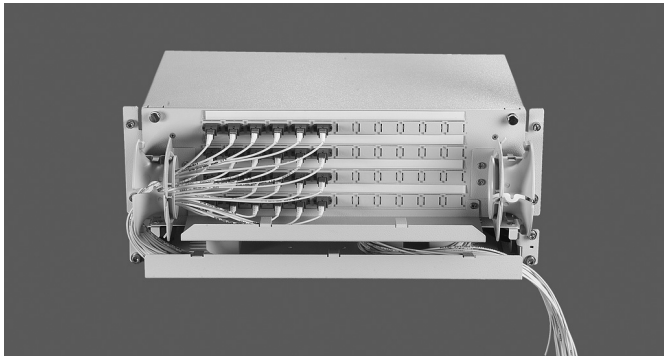
The shelf is painted (powder coated) in light grey (RAL-7035).

Depth occupation inside the rack



The drawer is always protruding 62 mm from the chassis.

Typical application



The FOMS-STORAGE shelf in combination with a 3HU front patching shelf.

Ordering information

- FOMS-STO-1U-R storage subrack with perforated roof
- FOMS-STO-1U-NR storage subrack without roof
- FIST-MB2-1HU-M ETSI mounting brackets for use in ETSI racks

Tyco Electronics, TE logo and FIST are trademarks

The information given herein, including drawings, illustrations and schematics which are intended for illustration purposes only, is believed to be reliable. However, Tyco Electronics makes no warranties as to its accuracy or completeness and disclaims any liability in connection with its use. Tyco Electronics' obligations shall only be as set forth in Tyco Electronics' Standard Terms and Conditions of Sale for this product and in no case will Tyco Electronics be liable for any incidental, indirect or consequential damages arising out of the sale, resale, use or misuse of the product. Users of Tyco Electronics products should make their own evaluation to determine the suitability of each such product for the specific application.

Tyco Electronics Raychem NV
Diestsesteenweg 692
3010 Kessel-Lo, Belgium
Tel 32-16 351 011 (USA)1-919-557-8900
Fax 32-16 351 697 (USA)1-919-557-8498
www.tycoelectronics.com
www.telecomosp.com
TC 1016/DS/1 09/04