

# FIST-GCO2-F

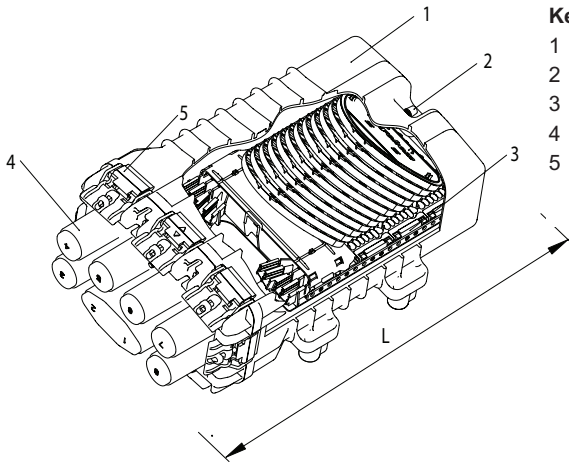
## Flat FIST generic closure organizer

The generic closure FIST-GCO2-F is the environmentally sealed enclosure for the fiber management system that provides the functions of splice and passive component integration in the external network.

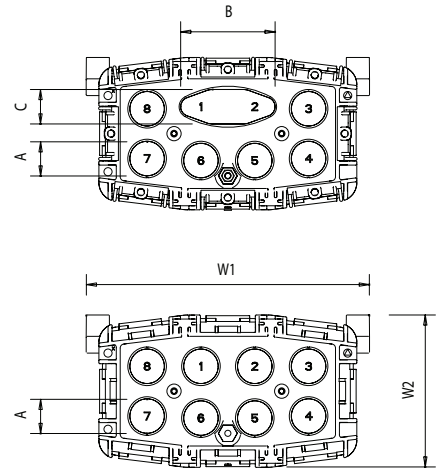
The FIST-GCO2-F has the following functions and features

- Single-ended design
- Base and dome are sealed with latches and O-ring system
- 6 or 8 round ports for drop cables and 1 oval port for looped cable
- The single side UMS (Universal Mounting System) frame provides the foundation for mounting combinations of SOSA2 (Splice Only Sub-Assembly) and/or FSASA2 (Splitter Array Sub-Assembly) modules, which consist of a modular grooveplate and trays
- Compatible with most common cable types: e.g. loose tube, central core, ribbon fiber
- Uncut fibers can be stored as single circuits in trays and/or as cable elements in the storage space.

## Dimensions and capacities



- Key**
- 1 Dome
  - 2 Optional Valve
  - 3 Wrap-around grooveplates
  - 4 Base
  - 5 Latch



Dimensions in mm	GCO2-FC	GCO2-FD
L	384	432
W1	279	279
W2	150	150
A	30	30
B	82	82
C	30	30

	Fibers	Trays	Fibers	Trays
Single circuit splicing capacity	32	16	48	24
Single element splicing capacity	96	8	144	12
R4/R8 Splicing capacity	64	8	96	12

**FIST-GCO2- X X X - X X**

**Type**

- FC** 384 mm long with 16 units UMS
- FD** 432 mm long with 24 units UMS

**Number of round ports**

- 6** round ports + 1 oval Port
- 8** round ports

**Flash test point**

- V** Pre-mounted flash test point in dome
- N** No pressure relief valve

**Ground feed-through**

- G** Pre-mounted ground feed-through
- N** No ground feed-through

For a list of accessories, please refer to the FIST-GCO2 ordering guide

Tyco Electronics, TE logo and FIST are trademarks

The information given herein, including drawings, illustrations and schematics which are intended for illustration purposes only, is believed to be reliable. However, Tyco Electronics makes no warranties as to its accuracy or completeness and disclaims any liability in connection with its use. Tyco Electronics' obligations shall only be as set forth in Tyco Electronics' Standard Terms and Conditions of Sale for this product and in no case will Tyco Electronics be liable for any incidental, indirect or consequential damages arising out of the sale, resale, use or misuse of the product. Users of Tyco Electronics products should make their own evaluation to determine the suitability of each such product for the specific application.

Tyco Electronics Raychem NV  
 Diestsesteenweg 692  
 3010 Kessel-Lo, Belgium  
 Tel 32-16 351 011 (USA)1-919-557-8900  
 Fax 32-16 351 697 (USA)1-919-557-8498  
 www.tycoelectronics.com  
 www.telecomosp.com  
 TC 1032/DS/2 11/07