



## FOSC 600

### Fiber Optic Splice Closures

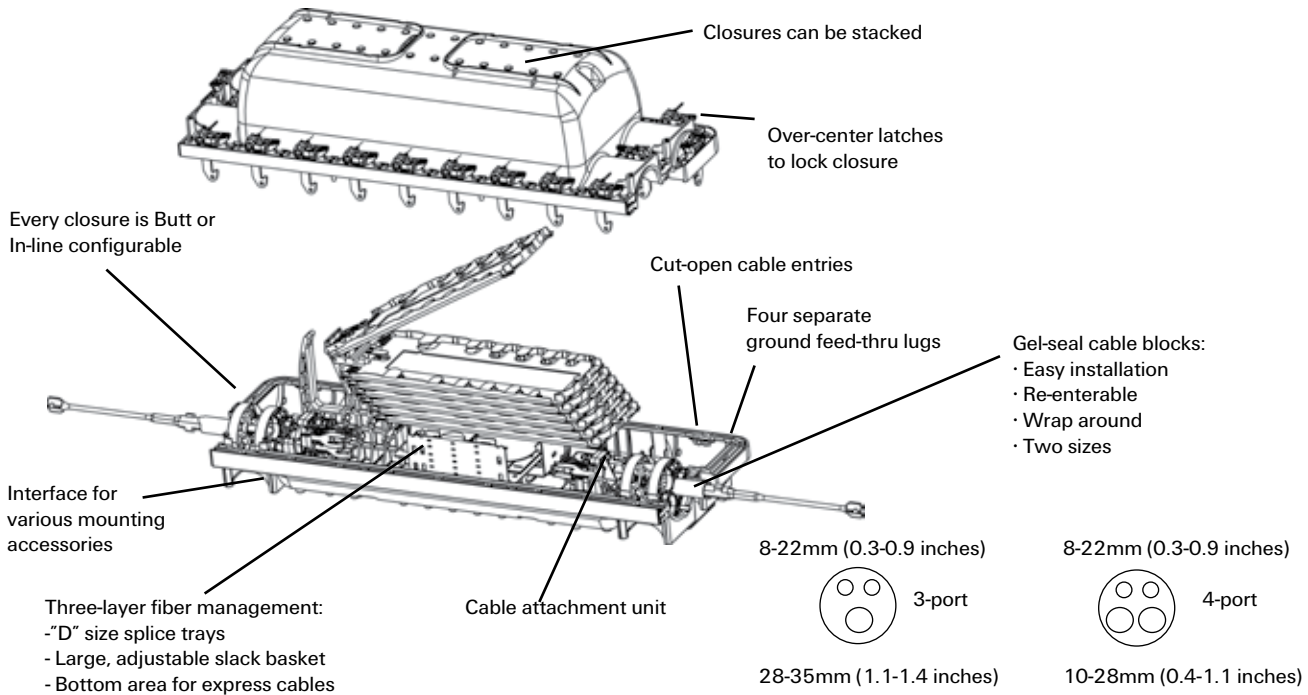
- Butt or inline splice closure
- Gel-seal technology
- Hinging trays
- Large fiber capacity
- Superior fiber management
- Excellent consolidation or rehabilitation closure

The FOSC 600 C and D closures are more than just fiber optic splice closures. They are rugged and versatile platforms that can be deployed anywhere in the outside plant for a multitude of functions including the splicing of most any type and size of cable, the housing of connectorized distribution and demarcation points, and the deployment of optical passives.

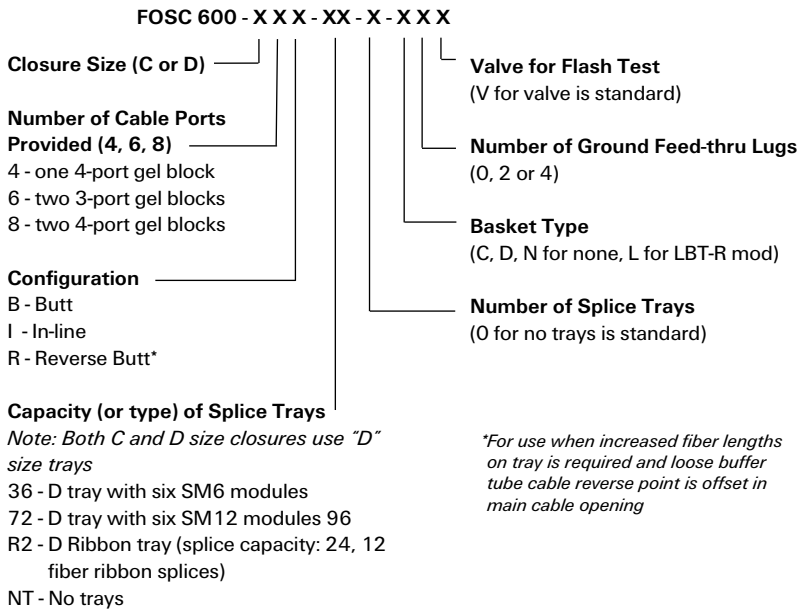
The sealing system for FOSC 600 closures builds on the proven reliability of FOSC 400 and FOSC 450 closures and features the versatile and popular gel-sealing technology for terminating cables, and a unique latching system for quickly opening and closing the body.

#### Other features include:

- Up to 16 separate cable ports
- Sized for cables up to 35mm in diameter and 1728 fibers
- Field configurable for butt or in-line splicing
- All internal parts can be removed for reconfiguration
- Both C and D closures use Tyco Electronics "D" size splice trays
- Storage basket included with all closures can be extended in length or repositioned vertically depending on application
- Slack ribbon storage on the same tray as mass fusion splices is possible with use of a ribbon tray
- Backed by Tyco Electronics' extensive network of technical field support specialists



**Sizes and Specifications** (dimensions shown in inches)



*\*For use when increased fiber lengths on tray is required and loose buffer tube cable reverse point is offset in main cable opening*

**Closure Dimensions in inches (cm)**

	Length	Height	Width
600 C	32.6 (82.8)	6.0 (15.2)	10.8 (27.4)
600 D	32.6 (82.8)	10.0 (25.4)	10.8 (27.4)

**Tray (and Splice) Capacity of Closures**

	D Splice Trays	D-Ribbon Tray <sup>1</sup>
600 C In-line	3 (216)	2 (576)
600 C Butt	5 (360)	3 (864)
600 D In-line	7 (504)	4 (1152)
600 D Butt	9 (648)	6 (1728) <sup>2</sup>

<sup>1</sup> Ribbon splice capacity is 2592 fibers based on using 6, D-36 style trays with slack storage in storage basket.  
<sup>2</sup> L Basket type closures capacity is 5 D-Ribbon trays (1440 fibers)

**Accessories**

FOSC-ACC-D-Tray-36	D size tray with six SM6 modules
FOSC-ACC-D-Tray-72	D size tray with six SM12 modules
FOSC-ACC-D-Tray-Ribn24	D size Ribbon Tray (24 mass fusion splices)
FOSC600-GelSeal-3	3-port cable seal
FOSC600-GelSeal-4	4-port cable seal