



# Fiber Optic Panels

1<sup>st</sup> Edition



# FMT Series Fiber Optic Panel

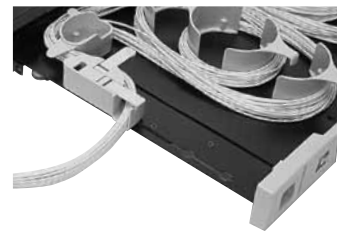
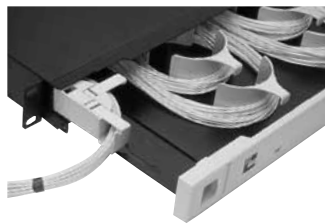
## Introduction

Cable management is an essential consideration in any successful fiber communications network. The FMT series fiber optic panel enables termination, termination/splicing, termination/storage, splicing only and slack storage for optical fibers in a compact one or two rack unit (44.45 or 28.9mm) panel.

### Sliding Radius Limiter

Sliding radius limiters provide ultimate fiber management by addressing one of the most critical elements of fiber cable management: bend radius protection.

By controlling the movement of fibers into the drawer, error-proof slack loop management is maintained, ensuring proper bend radius protection. This is crucial to protecting fiber, eliminating service failures and decreasing costs.



### Sliding Adapter Pack

Sliding adapter packs allow easy access for connecting jumpers and cleaning connectors, ensuring that any fiber can be installed or removed without disturbing adjacent fibers. That means a significant reduction in connector installation/reconfiguration time.

### Modular Design

The modular design offers the value of a single interface for performing multiple tasks in your network. By employing a one or two rack unit modular drawer, network technicians have familiar access to terminating, splicing and storing fiber. This cable management approach translates to time and money saved for moves, adds and changes.



# FMT Series Fiber Optic Panel

## Introduction

### Termination-Only Drawers

This FMT accommodates 24-, 32-, 48-, 72- or 96- standard single circuit access connectors in one or two rack unit drawers. It is ideal for interconnect applications that will experience minimal network reconfiguration.

### Termination and Splice Drawers

This FMT has termination/splicing capability for 12-, 16- or 24-fibers within one rack unit or 48-fibers in two rack units. Splice trays can be placed on the left and right side of the FMT, offering great flexibility in ordering the panel to fit your specific network application.

### Termination and Storage Drawers

This FMT accommodates terminations in groups of 12, 16 or 24. This panel stores slack fiber for the line and/or equipment side of the demarcation. It's an ideal solution for interconnect applications that may see some reconfiguration activity and where exact patch cord lengths cannot be determined. Slack storage within the drawer also allows for reconnectorization of the fiber.

### Slack Storage Drawers

These FMTs properly manage and protect excess optical jumper length at the equipment frame. They may be used in conjunction with other FMT solutions or as a stand-alone slack storage solution at the equipment frame. Both bulk and discrete storage solutions are available to accommodate industry-standard jumper configurations.

### Sliding Radius Limiters

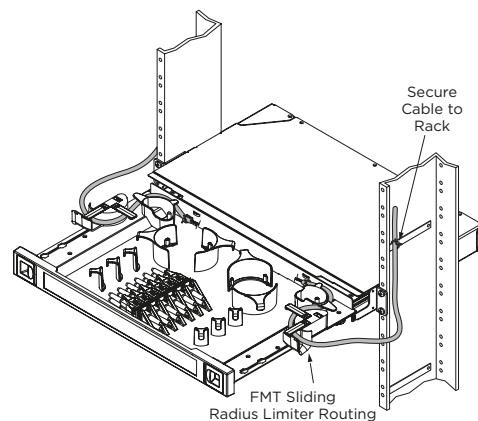
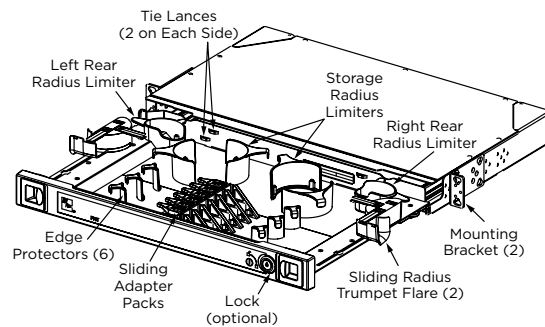
Minimize fiber movement during drawer usage and the need for a long slack loop.

### Sliding Adapter Packs

Two adapter/connectors in one rack unit panels and six in two rack units panels provide easy hand access for connecting cables and cleaning connectors.

### Edge Protectors

Protect cables from sharp angles at bend points in the cable routing.



12-Termination/Storage Drawer, Universal Entry

### Rear Radius Limiters

Maintain a protective minimum bend radius for cables routed into the FMT.

### Tie Lances

Secure fibers at the ingress/egress point for additional cable management.

### Storage Radius Limiters

Provide slack storage for cable terminated within the FMT.

### Lockable

Allows controlled accessibility to the drawer.

# FMT Series Fiber Optic Panel

## Introduction

### Product Overview

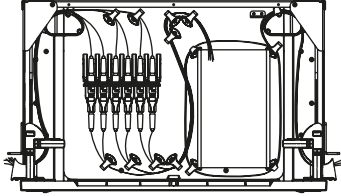
	FMT 1 RU Rack Mount	FMT 2 RU Rack Mount
<b>Recommended Applications</b>	Small to medium fiber count application. Offers the secure fiber protection that comes with a drawer solution coupled with a high degree of cable management. Ideal for mixed use with active equipment in either frame or cabinet applications.	
<b>Description</b>	1.75"(44.45mm) H - all front access 19"/23" all purpose drawer; high-density 1 RU chassis	3.5" (88.9mm) H - all front access 19"/23"all purpose drawer; high-density 2 RU chassis
<b>Number of fibers, future growth</b>	12 to 32	Termination/Splice: 48 Termination only: 72 (96 with LC)
<b>Interconnect</b>	Ideal	Ideal
<b>Cross-connect</b>	Yes	Yes
<b>Accommodates on-frame splicing</b>	Yes. Built-in	Yes. Built-in
<b>Accommodates off-frame splicing</b>	Yes	Yes
<b>Rear access</b>	Not required	Not required
<b>All front access</b>	Yes	Yes
<b>Customer premises application</b>	Ideal	Ideal
<b>19" mounting</b>	Yes	Yes
<b>23" mounting</b>	Yes	Yes
<b>Cabinet mount</b>	Yes	Yes
<b>Wall mount</b>	Yes. A wall mount kit is available	Yes. A wall mount kit is available
<b>Mix equipment with fiber product?</b>	Ideal	Ideal
<b>Use as dedicated fiber frame</b>	Not recommended.	Not recommended.
<b>VAM capabilities</b>	No	Yes. MicroVAM plug-ins available
<b>Optimum jumper storage location</b>	Can be configured with storage	Can be configured with storage
<b>Vertical cable guide</b>	VCG available as separate item	VCG available as separate item

# FMT Series Fiber Optic Panel

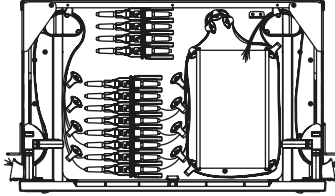
## 1 RU Fiber Termination/Splice Drawers with Adapters or Pigtails

### FEATURES

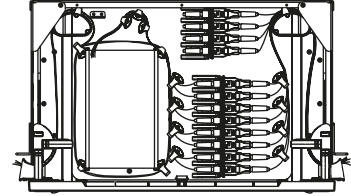
- Terminates and splices 12-, 16- or 24-fibers in an all front access design
- Mounts in 19- or 23-inch racks
- Sliding radius limiters provide cable management for incoming and outgoing fibers
- Panels loaded with pigtails come with color-coded 900 μm pigtails



1 RU 12-Termination/Splice Drawer  
(Right Splice Entry)



1 RU 24-Termination/Splice Drawer  
(Right Splice Entry)



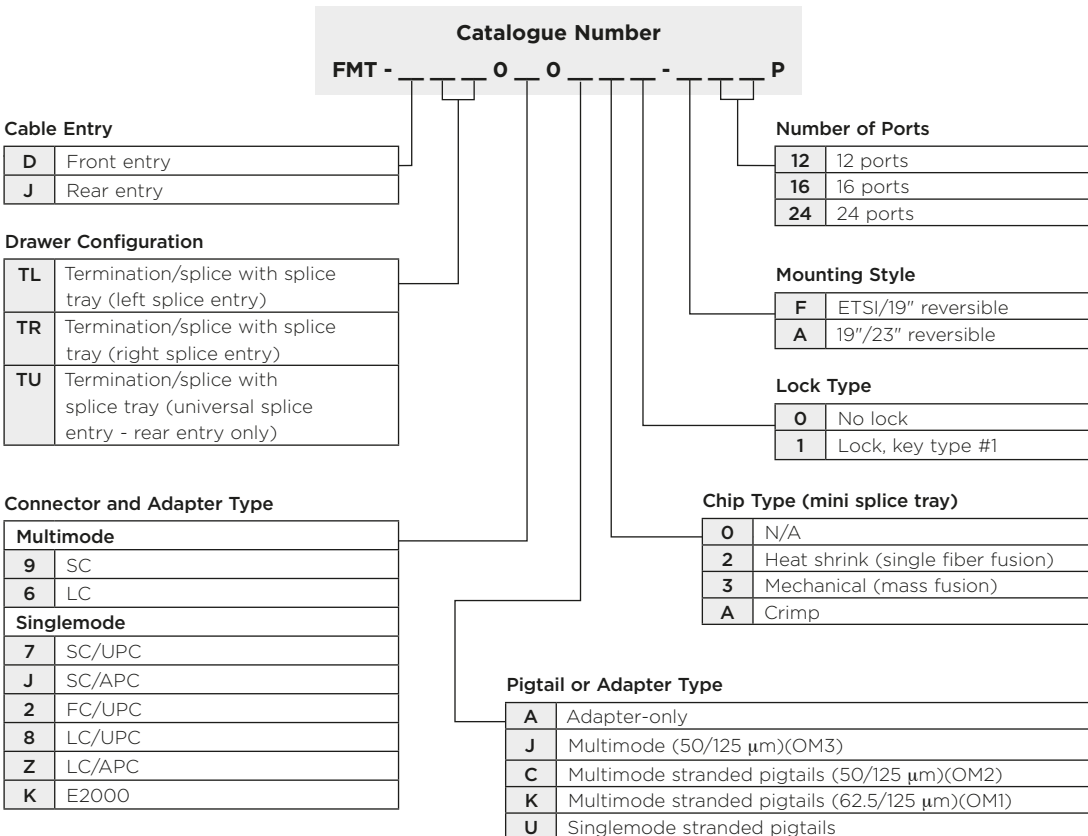
1 RU 24-Termination/Splice Drawer  
(Left Splice Entry)



1 RU 12-Termination/Splice Drawer  
(Right Splice Entry)



1 RU 24-Termination/Splice Drawer  
(Right Splice Entry)



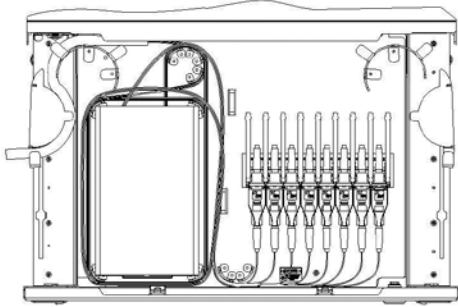
Other configurations and split ratios are available upon request. Please contact your TE Connectivity representative.

# FMT Series Fiber Optic Panel

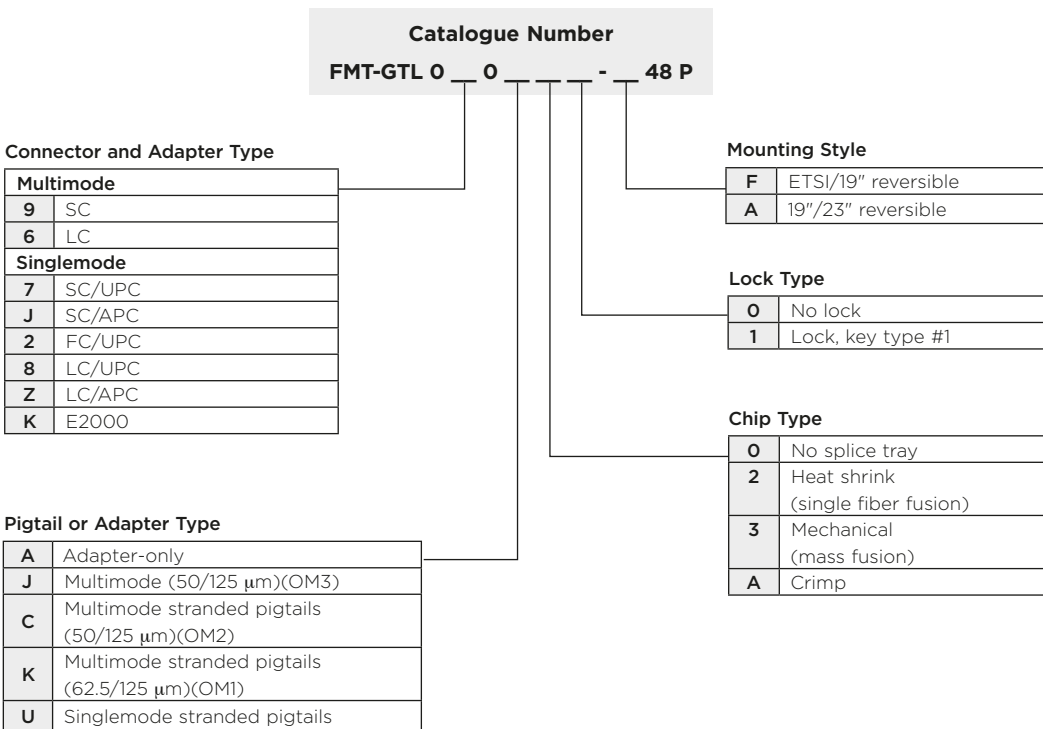
## 2 RU Fiber Termination/Splice Drawers with Adapters or Pigtails

### FEATURES

- Terminates and splices 48-fibers in an all-front-access design
- Mounts in ETSI, 19- or 23-inch racks
- Sliding radius limiters provide cable management for incoming and outgoing fibers
- Panels loaded with pigtails come with color-coded 900  $\mu\text{m}$  pigtails



2 RU 48-Termination/Splice Drawer



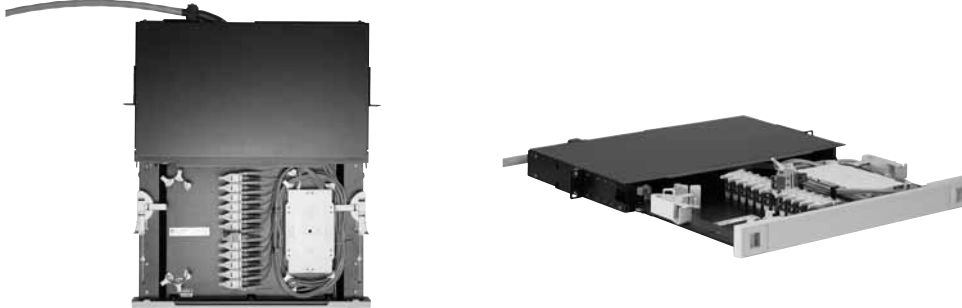
Other configurations and split ratios are available upon request. Please contact your TE Connectivity representative.

# FMT Series Fiber Optic Panel

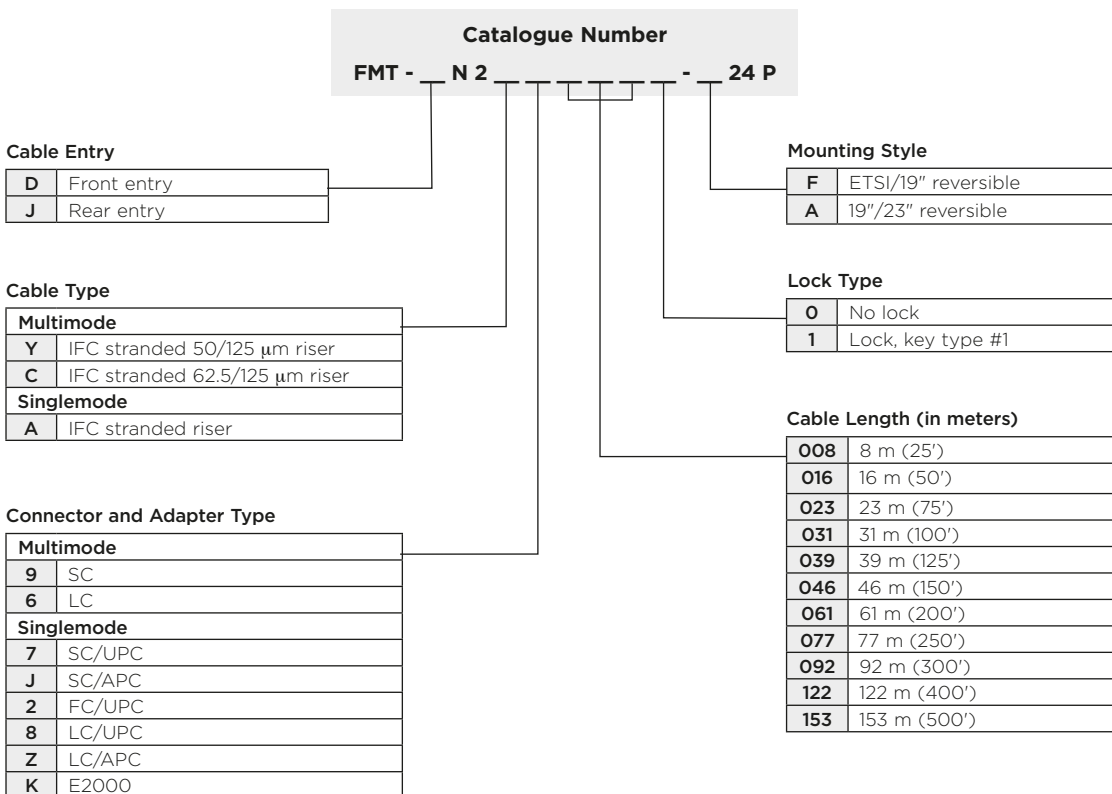
1 RU Fiber Termination Drawers with Multifiber Cable Preterminated)

## FEATURES

- Allows for termination of a 24-fiber cable preterminated with IFC or OSP and shipped attached to the panel
- Minimizes installation time and expense



1 RU 24-Position Termination Drawer with Multifiber Cable (IFC or OSP)



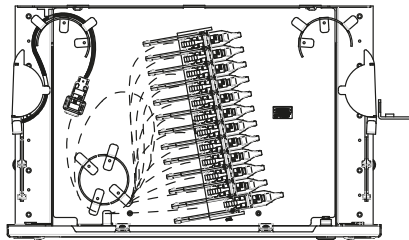
Other configurations and split ratios are available upon request. Please contact your TE Connectivity representative.

# FMT Series Fiber Optic Panel

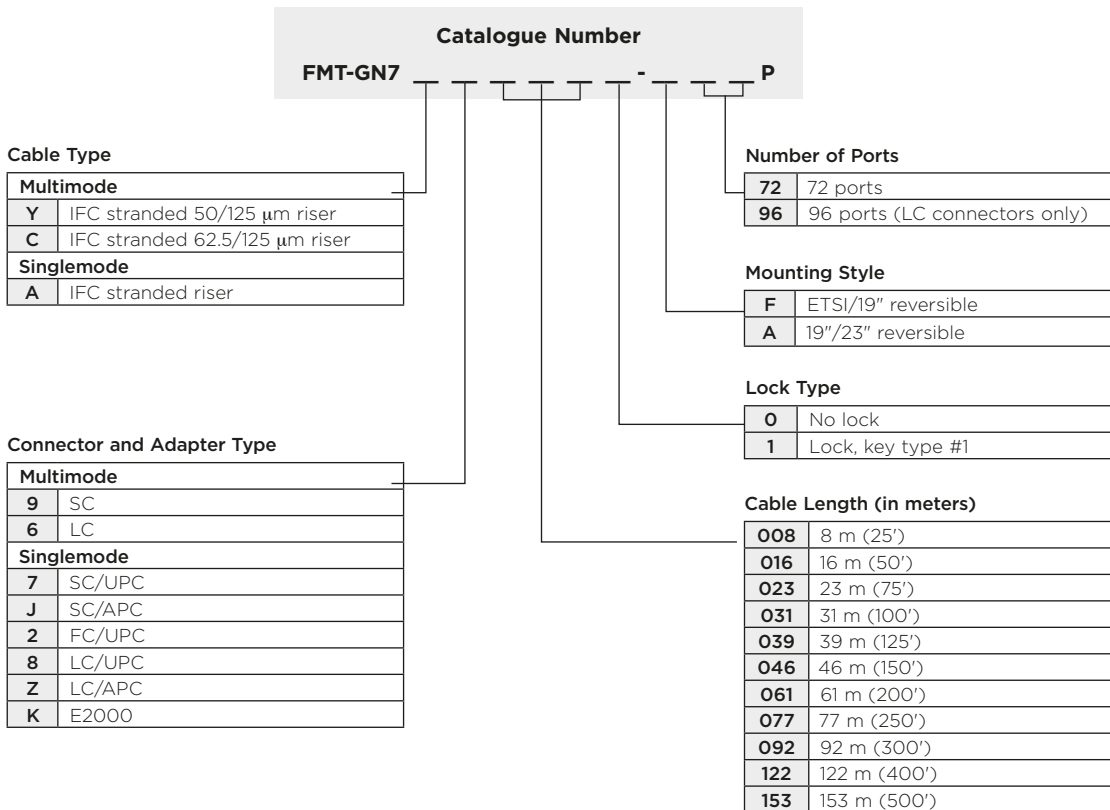
## 2 RU Fiber Termination Drawers with Multifiber Cable (Preterminated)

### FEATURES

- Provides termination for 72- or 96-fibers preterminated with IFC or OSP multifiber cable
- Mounts in ETSI, 19- or 23-inch racks
- Sliding radius limiters provide cable management for incoming and outgoing fibers



2 RU 72-Termination Drawer with Multifiber Cable (IFC or OSP)



Other configurations and split ratios are available upon request. Please contact your TE Connectivity representative.

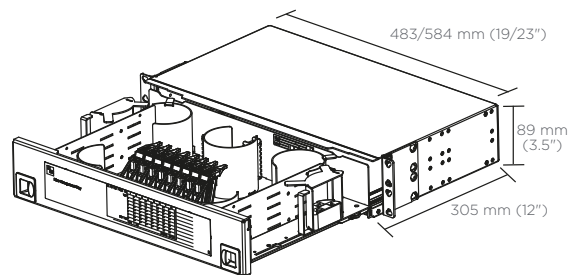


# FMT Series Fiber Optic Panel

## 2 RU Fiber Termination Drawers with MPO Connectors

### FEATURES

- Low-loss MPO to LC breakout cables enable test access points for each card, provide single-circuit access for moves, adds or changes and high-quality terminations induce minimum insertion loss in circuit
- Total front access termination drawer allows quick and easy connection between active equipment and fiber distribution frame line-up
- Industry-leading cable management protects bend radius, provides clean and organized cable routing pathways and protects traffic-carrying fiber from physical damage
- Sliding adapter packs grouped into counts of eight LC adapters allow access to each individual fiber from one card, eliminating the possibility of disturbing adjacent fibers
- Panel provides a demarcation point for MPO
- MPO insertion loss (1310 and 1550 nm): 0.5 dB maximum; 0.2 dB typical
- MPO return loss (1310 and 1550 nm): -65 dB minimum
- LC insertion loss (1310 and 1550 nm): 0.3 dB maximum; 0.1 dB typical
- LC return loss (1310 and 1550 nm): -55 dB minimum



FMT 2 RU Empty Panel

### ORDERING INFORMATION

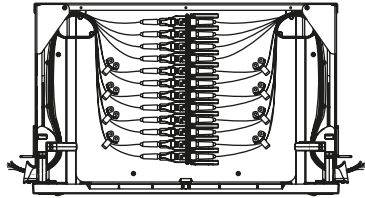
Description	Catalogue Number
<b>2 RU termination panel with MPO connectors</b>	
80-position panel loaded with MPO to LC/UPC assemblies (8-fiber female APC MPO to 64-LC terminations)	FMT-GM7B808F0-A80P
64-position panel loaded with MPO to LC/UPC assemblies (8-fiber female APC MPO to 64-LC terminations)	FMT-GM7B808F0-A64P
<b>2 RU termination panel with adapters-only</b>	
64-position panel loaded with LC/UPC adapters	FMT-GM7B80A00-A64P
80-position panel loaded with LC/UPC adapters	FMT-GM7B80A00-A80P
<b>Cable assembly</b>	
80-position panel loaded with LC/UPC adapters	MRE-AF/OKBA1.7M11

# FMT Series Fiber Optic Panel

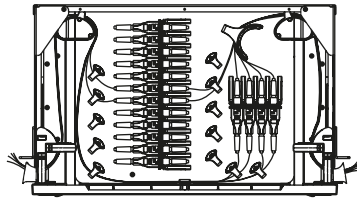
## 1 RU Adapter-Only Fiber Termination Drawers

### FEATURES

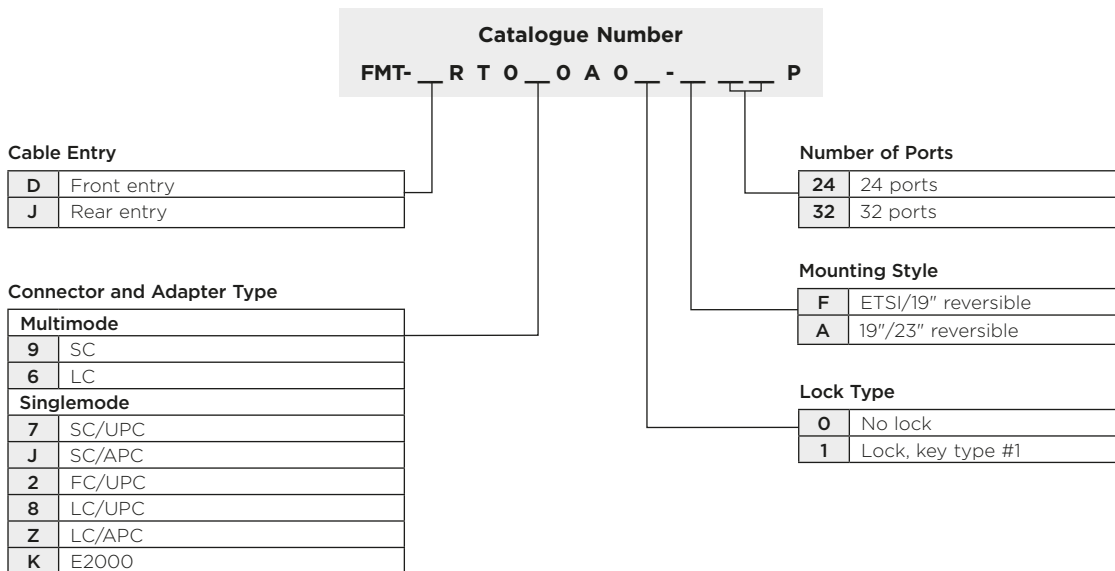
- Provides termination for 24- or 32-fibers in an all-front-access design
- Mounts in ETSI, 19- or 23-inch racks
- Sliding radius limiters provide cable management for incoming and outgoing fibers



**1 RU 24-Termination**  
Adapter-Only Drawer



**1 RU 32-Termination**  
Adapter-Only Drawer



Other configurations and split ratios are available upon request. Please contact your TE Connectivity representative.

# FMT Series Fiber Optic Panel

## 2 RU Adapter-Only Fiber Termination Drawers

### FEATURES

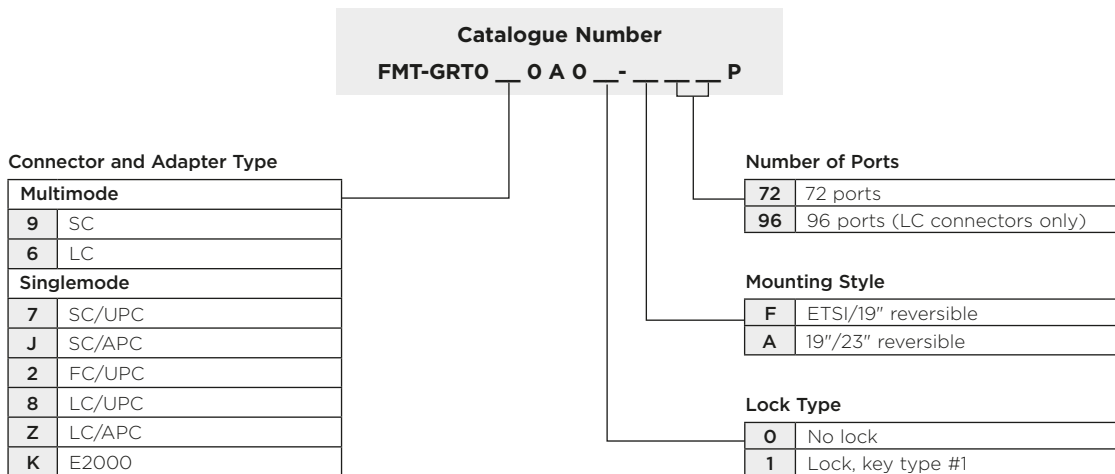
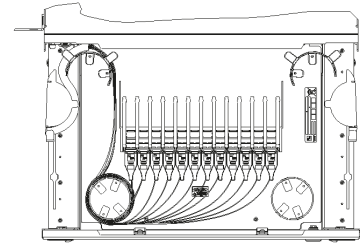
- Provides termination for 72- or 96-fibers in an all-front-access design
- Mounts in ETSI, 19- or 23-inch racks
- Sliding radius limiters provide cable management for incoming and outgoing fibers



**2 RU 72-Termination**  
Adapter-Only Drawer



**Sliding Adapter Pack**  
Shown in Access Position



Other configurations and split ratios are available upon request. Please contact your TE Connectivity representative.

# FMT Series Fiber Optic Panel

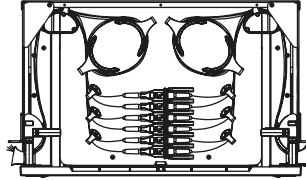
## 1 RU Fiber Termination/Storage Drawers

### FEATURES

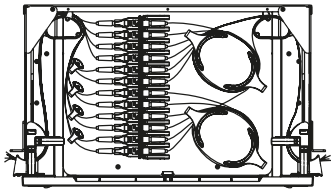
- Terminates and stores 12- or 24-fibers in an all-front-access design
- Mounts in ETSI, 19- or 23-inch racks
- Sliding radius limiters provide cable management for incoming and outgoing fibers



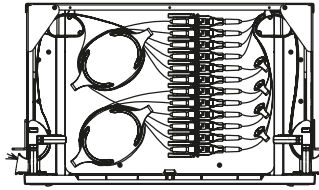
**1 RU 12-Termination/Storage Drawer**  
(Universal Storage)



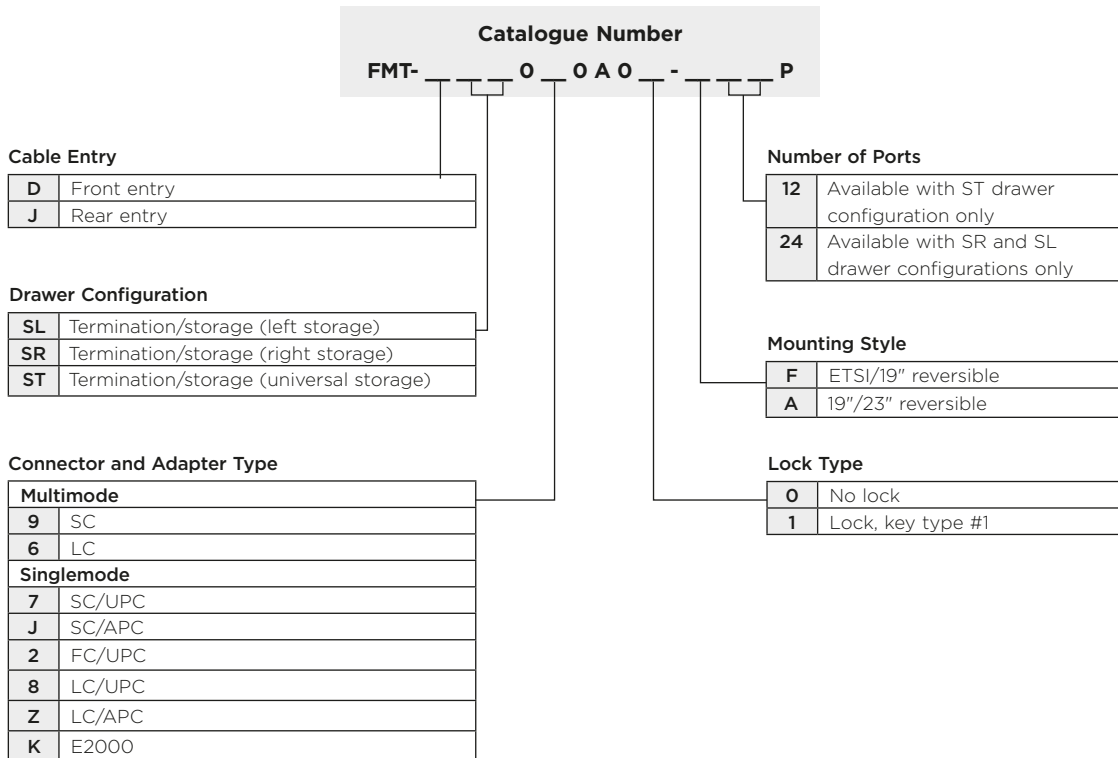
**1 RU 12-Termination/Storage Drawer**  
(Universal Storage)



**1 RU 24-Termination/Storage Drawer**  
(Right Storage)



**1 RU 24-Termination/Storage Drawer**  
(Left Storage)



Other configurations and split ratios are available upon request. Please contact your TE Connectivity representative.

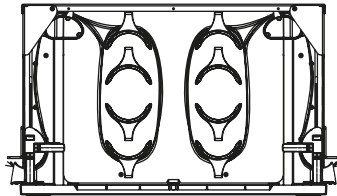
# FMT Series Fiber Optic Panel

## 1 RU Slack Storage Drawers

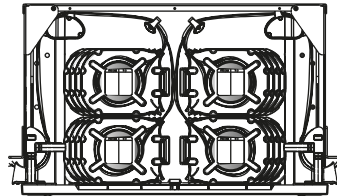
### FEATURES

- Offers bulk storage for up to 60 fibers and discrete slack storage for up to 16 fibers
- All-front-access drawer mounts in ETSI, 19- or 23-inch racks
- Sliding radius limiters provide cable management for incoming and outgoing fibers

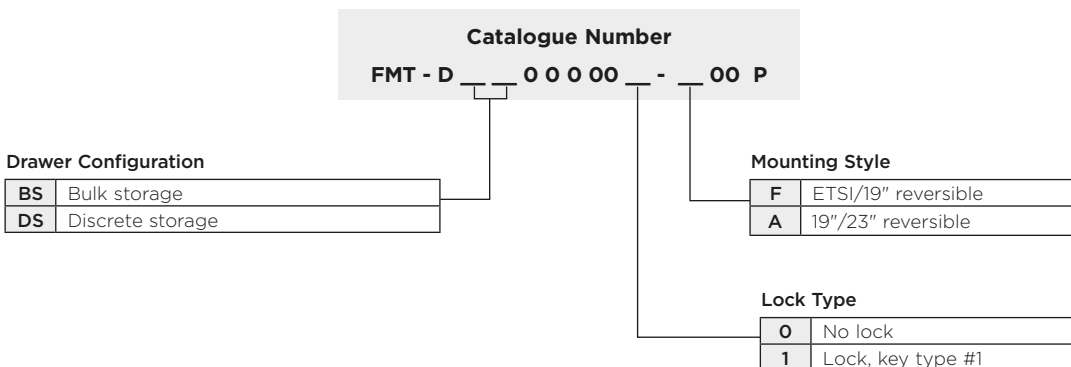
### Bulk Storage Drawer



### Discrete Storage Drawer



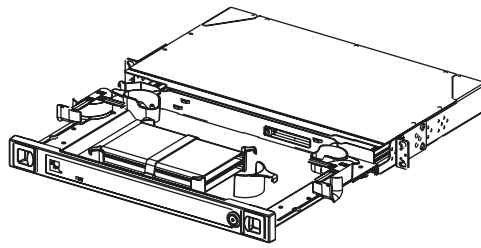
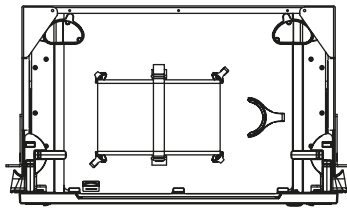
Slack storage type	Capacity		
	3.0 mm cable	2.0 mm cable	1.7 mm cable
Bulk	32 cables, 2.5 m each	48 cables, 2.5 m each	60 cables, 4 m each
Discrete	16 cables, 1.7 m each	16 cables, 2 m each	16 cables, 2.5 m each



Other configurations and split ratios are available upon request. Please contact your TE Connectivity representative.

# FMT Series Fiber Optic Panel

## 1 RU Splice Drawers



1 RU Splice-Only Drawer

**Catalogue Number**  
**FMT - DAS0000 - - - - P**

**Splice Type**

<b>0</b>	None
<b>2</b>	Heat shrink (single fiber fusion)
<b>3</b>	Mechanical (mass fusion)

**Lock Type**

<b>0</b>	No lock
<b>1</b>	Lock, key type #1

**Drawer Capacity**

<b>12</b>	1 splice tray
<b>24</b>	2 splice trays

**Mounting Style**

<b>F</b>	ETSI/19" reversible
<b>A</b>	19"/23" reversible

Other configurations and split ratios are available upon request. Please contact your TE Connectivity representative.

# FMT Series Fiber Optic Panel

## 2 RU Value-Added Module (VAM) MicroVAM Chassis

The FMT MicroVAM chassis accommodates MicroVAM modules. The MicroVAM module is ADC's highest density and most versatile VAM module.



2 RU FMT with Single MicroVAMs



Single MicroVAMs Shown in Access Position



1 RU FMT with Single MicroVAMs

### ORDERING INFORMATION

Description	Catalogue Number
<b>12" depth</b>	
4-position FMT drawer, 19"/23" mount, 1 RU	FMT-DVS000000-E00B
8-position FMT drawer, 19"/23" mount, 2 RU	FMX-ATT-BARVM00
12-position FMT drawer, 19"/23" mount, 2 RU	FMT-GVM000000-A72P
16-position FMT drawer, 19"/23" mount, 2 RU	FMT-GVS000000-E96P
<b>15" depth</b>	
20-position FMT drawer, 19"/23" mount, 2 RU	FMX-ATT-BARVM00-20
20-position FMT drawer, 19"/23" mount, 2 RU, rear entry	FMX-ATT-BARVM00-20R
24-position FMT drawer, 23" mount, 2 RU	FMX-ATT-BARVM00-24

### Value-Added Module (VAM) System

ADC offers an expansive line of monitor, splitter, WDM and CWDM VAM plug-in modules designed to meet all application needs. Please reference the **Value-Added Module (VAM) System Catalogue 201609BE** for details at [www.adc.com](http://www.adc.com) or contact ADC Customer Service.

Other configurations and split ratios are available upon request. Please contact your TE Connectivity representative.

# FMT Series Fiber Optic Panel

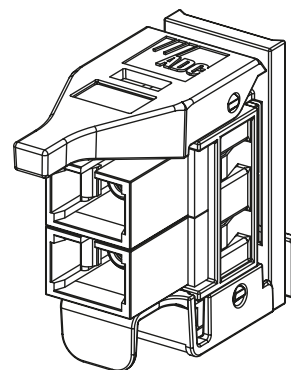
## 1 RU Drawer Accessories

### Sliding Adapter Pack

Sliding adapter packs house groups of fiber optic adapters and are mounted in fiber termination panels to provide easy access to connectors. Sliding adapter packs are available with SC, FC and LC adapters. A 2-position sliding adapter pack for a 1 RU FMT is shown to the right.

#### ORDERING INFORMATION

Description	Catalogue Number
<b>Multimode</b>	
SC	FMT-2SAP09
LC	FMT-2SAP06
<b>Singlemode</b>	
SC/UPC	FMT-2SAP07
SC/APC	FMT-2SAP0J
FC/UPC	FMT-2SAP02
LC/UPC	FMT-2SAP08
LC/APC	FMT-2SAP0Z
E2000	FMT-2SAP0K



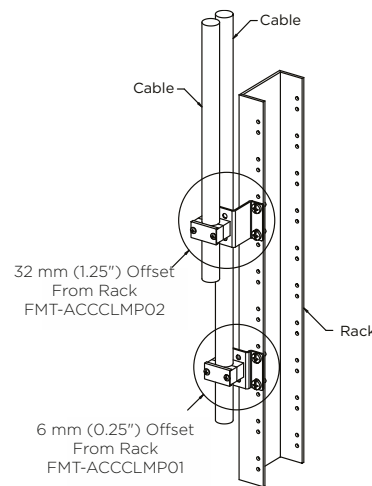
Sliding Adapter Pack

### Mini Splice Tray

For use with splicing configurations in the 1 RU FMT.

#### ORDERING INFORMATION

Description	Catalogue Number
<b>Bare fusion</b>	FL1-M-FT
<b>Heat shrink</b> (single fiber fusion)	FL1-M-HS
<b>Mechanical</b> (mass fusion)	FL1-M-MT
<b>Crimp</b>	FL1-M-A



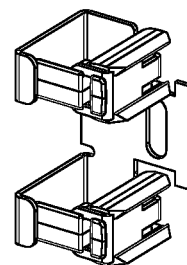
Cable Clamp Kit

### Wall Mount Kit, Cable Clamp Kit and Vertical Cable Guide

The cable clamp kit provides a means of securing cable entering the drawer. The wall mount kit is required for wall mount applications. Vertical cable guide safely routes fiber cable on the frame.

#### ORDERING INFORMATION

Description	Catalogue Number
<b>Wall mount kit</b>	FMT-ACCWLMT01
<b>Cable clamp kits</b>	
6 mm (0.25") offset from frame	FMT-ACCCLMP01
32 mm (1.25") offset from frame	FMT-ACCCLMP02
<b>Vertical cable guide (VCG)</b>	FMT-ACCVCG01P



Vertical Cable Guide



# FMT Series Fiber Optic Panel

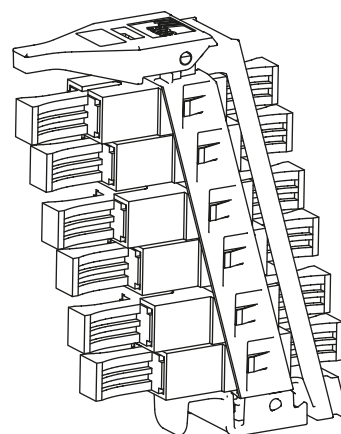
## 2 RU Drawer Accessories

### Sliding Adapter Pack

Sliding adapter packs house groups of fiber optic adapters and are mounted in fiber termination panels to provide easy access to connectors. Sliding adapter packs are available with FC, LC and E2000 adapters. Adapters are preinstalled in the sliding adapter pack as shown to the right.

#### ORDERING INFORMATION

Description	Catalogue Number
<b>Multimode</b>	
SC	FMT-2SAP09
LC	FMT-2SAP06
<b>Singlemode</b>	
SC/UPC	FMT-2SAP07
SC/APC	FMT-2SAP0J
FC/UPC	FMT-2SAP02
LC/UPC	FMT-2SAP08
LC/APC	FMT-2SAP0Z
E2000	FMT-2SAP0K



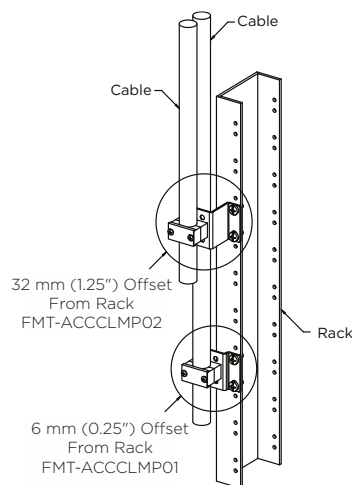
Sliding Adapter Pack

### Mini Splice Tray

For use with splicing configurations in the 2 RU FMT.

#### ORDERING INFORMATION

Description	Catalogue Number
<b>Bare fusion</b>	FL1-M-FT
<b>Heat shrink</b> (single fiber fusion)	FL1-M-HS
<b>Mechanical</b> (mass fusion)	FL1-M-MT
<b>Crimp</b>	FL1-M-A



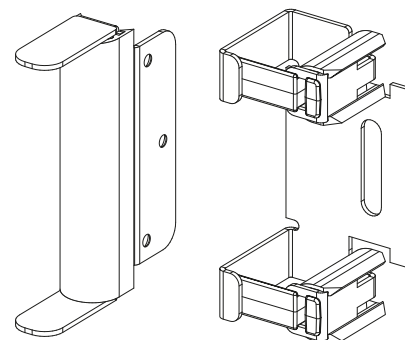
Cable Clamp Kit

### Cable Clamp Kit and Vertical Cable Guide

The cable clamp kit provides a means of securing cable entering the drawer. Vertical cable guide safely routes fiber cable on the frame.

#### ORDERING INFORMATION

Description	Catalogue Number
<b>Wall mount kit</b>	FMT-ACCWLMT01
<b>Cable clamp kits</b>	
6 mm (0.25") offset from frame	FMT-ACCCLMP01
32 mm (1.25") offset from frame	FMT-ACCCLMP02
<b>Vertical cable guide (VCG)</b>	FMT-ACCVCG01P



Vertical Cable Guide

TE Connectivity and TE connectivity (logo) are trademarks. Other logos, product and/or Company names might be trademarks of their respective owners

While Tyco Electronics has made every reasonable effort to ensure the accuracy of the information in this document, Tyco Electronics does not guarantee that it is error-free, nor does Tyco Electronics make any other representation, warranty or guarantee that the information is accurate, correct, reliable or current. Tyco Electronics reserves the right to make any adjustments to the information contained herein at any time without notice. Tyco Electronics expressly disclaims all implied warranties regarding the information contained herein, including, but not limited to, any implied warranties of merchantability or fitness for a particular purpose. The dimensions in this document are for reference purposes only and are subject to change without notice. Specifications are subject to change without notice. Consult Tyco Electronics for the latest dimensions and design specifications.

## 1<sup>ST</sup> EDITION

Tyco Electronics Ltd.  
Rheinstrasse 20  
CH-8200 Schaffhausen  
Switzerland  
Tel: +41 (0)52 633 66 61

[www.te.com](http://www.te.com) / [www.te.com/adckrone](http://www.te.com/adckrone)

© 2011 Tyco Electronics Corporation, a TE Connectivity Ltd. Company.  
All Rights Reserved.

201608BE Original 7/11 © 2011

