

Cross Connection Cabinet 59 and Accessories

Cross Connection Cabinet 59m1/59m2 for Modular Cable Heads

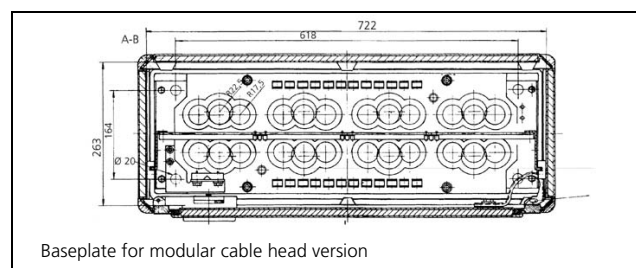
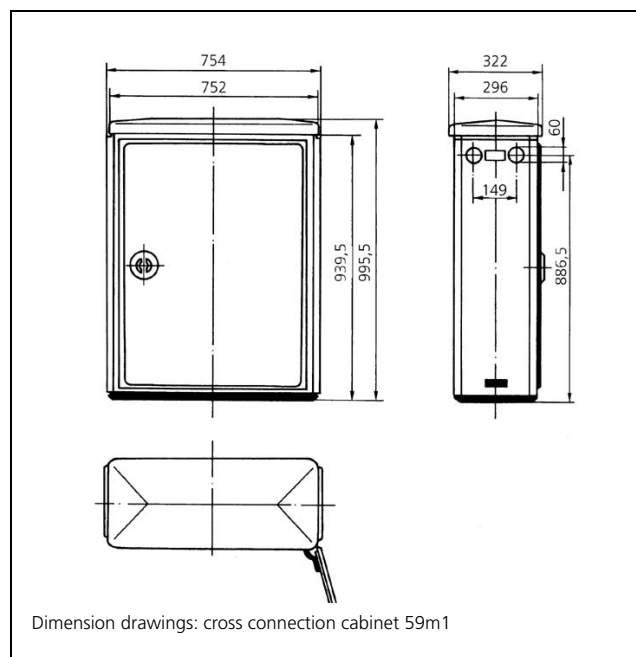
- ❑ Fibre-reinforced polyester cabinet
- ❑ Door with espagnolette lock, recessed handle and 4-way locking mechanism 19, one key
- ❑ One-door and two-door versions available
- ❑ With mounting frame for back-mount frames (3 x 10 +1) modules for modular cable heads
- ❑ Door retainer and document holder have to be ordered separately

Technical specifications:

Housing material:	fibre-reinforced polyester, metal parts, mainly made of nirosta x 5 CrNi 1810
Protection class:	IP 54 acc. to DIN IEC 529
Colour:	grey (similar RAL 7035)
Flammability class:	UL 94V-0
Operating range:	-40° C to +80° C, tropic-proof removable enclosure,
Design:	sandwich wall design for preventing condensation



Cross connection cabinet 59m1 on plinth 1060



Cross Connection Cabinet 59 and Accessories

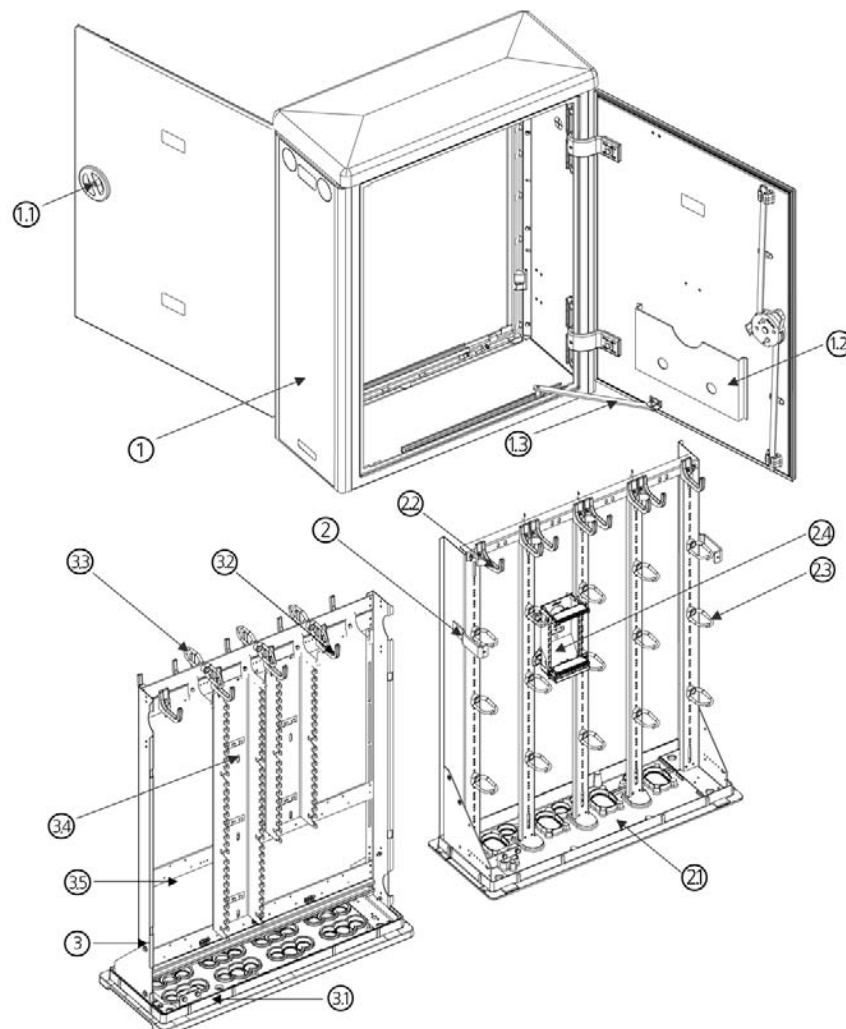
Order data:	Order-No:	Description	Weight/Pack	Pack
	Cross connection cabinet 59, one-door			
	5267 1 600-02	Cross connection cabinet 59m1 for modular cable heads (LSA-PLUS, Series 2/10) max. capacity: 1200 pairs, prepared for installation of up to 4 back-mount frames (Order-No: 5267 3 585-02)	52.000 kg	1 piece
Cross connection cabinet 59, two-doors				
	5267 1 601-02	Cross connection cabinet 59m2 for modular cable heads (LSA-PLUS, series 2) max. capacity: 2400 pairs, prepared for installation of up to 2x4 back-mount frames (Order-No: 5267 3 585-02)	54.000 kg	1 piece

Optional accessories:	Order-No:	Description	Weight/Pack	Pack
		5267 3 585-01	Back-mount frame 2/10 for 2 x 10 + 1 modules of series 2	0.820 kg
	5267 2 552-00	Back-mount frame 2/10 for 1 x 10 + 1 modules of series 2 with dust cover, shallow and fixing material	0.500 kg	1 piece
	5267 3 585-00	Back-mount frame 2/10 for 1 x 10 + 1 modules of series 2	0.460 kg	1 piece
	5267 3 585-02	Back-mount frame 2/10 for 3 x 10 + 1 modules of series 2	1.220 kg	1 piece
	5267 2 577-02	Fixing materials for back-mount frames with a T shape	0.020 kg	1 set
	5267 3 589-00	Jumper guide	0.003 kg	1 piece

Special accessories:	Order-No:	Description
		5267 2 737-00
	5267 2 736-00	Horizontal jumper bar over 8 bays for double-sided CCC 59
	5267 2 578-00	Mounting rail, horizontal for CCC 59m1 and 59m2

Spare parts:	Order-No:	Description	Weight/Pack	Pack
		0099 0 004-00	Sealing putty	0.100 kg
	5267 2 621-00	Door arrestor for CCC 59	0.575 kg	1 set
	5267 3 537-00	Document holder self-adhesive	0.200 kg	1 piece

Cross Connection Cabinet 59 and Accessories

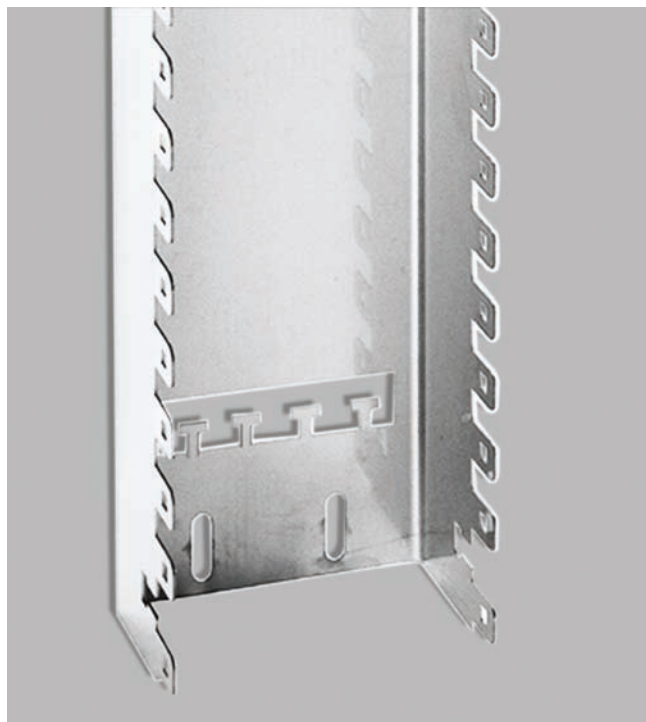


Legend:

- ① CCC59, with one or two doors
- ② KRONE lock insert19, 1 key per cabinet
- ③ Document holder, to be ordered separately
- ④ Door arrester, to be ordered separately
- ⑤ Cable head frame for single-door cabinet
- ⑥ Baseplate
- ⑦ Jumper hooks
- ⑧ 15 cable guide rings (included)
- ⑨ Cable head 80 or cable head NT are not included in the delivery
- ⑩ Back-mount frame holder for one- and two-door cabinet
- 1 Baseplate
- 2 Jumper guide hooks: on one side 5 pieces, on two sides 10 pieces
- 3 Jumper guide rings: on one side 3 pieces, on two sides 6 pieces
- 4 Back-mount frames are to be ordered separately
- 5 Cross rail for back-mount frames, short, to be ordered separately

Overview of variants for back-mount frames and cable heads

Cross Connection Cabinet 59 and Accessories



Back-mount Frame 2/10 for CCC 59

Back-mount frame for LSA-PLUS, series 2 for assembling in CCC

Back-mount frame 2/10 for 3 x 10 + 1 modules of series 2

Order data:

Order-No:	Description	Weight/Pack	Pack
5267 3 585-01	Back-mount frame 2/10 for 2 x 10 + 1 modules of series 2	0.820 kg	1 piece
5267 2 552-00	Back-mount frame 2/10 for 1 x 10 + 1 modules of series 2 with dust cover, shallow and fixing material	0.500 kg	1 piece
5267 3 585-00	Back-mount frame 2/10 for 1 x 10 + 1 modules of series 2	0.460 kg	1 piece
5267 3 585-02	Back-mount frame 2/10 for 3 x 10 + 1 modules of series 2	1.220 kg	1 piece

Cross Connection Cabinet 59 and Accessories

Fixing Materials

For single- or double-sided installation of back-mount frames 2/10 in cross-connection cabinets; also for the fixing of cables.



Fixing material for back-mount frame with T shape

Order data:	Order-No:	Description	Weight/Pack	Pack
	5267 2 577-02	Fixing materials for back-mount frames with a T shape	0.020 kg	1 set

Jumper Guide

It is inserted into the slot between the 10-fold module groups in the back-mount frame (Order-No: 5267 3 585-xx), to keep the jumpers out of the neighbouring working area.

The number of jumper guides needed depends on the back-mount frame used.

Back-mount frame used	Number of jumper guides required
5267 3 585-00	2 pieces
5267 3 585-01	4 pieces
5267 3 585-02	6 pieces



Order data:	Order-No:	Description	Weight/Pack	Pack
	5267 3 589-00	Jumper guide	0.003 kg	1 piece

Cross Connection Cabinet 59 and Accessories



Mounting Rail, Horizontal

If modular cable heads are to be mounted in CCC cabinets on LSA-PLUS back-mount frames of different lengths, one additional mounting rail have to be ordered for each back-mount frame length.

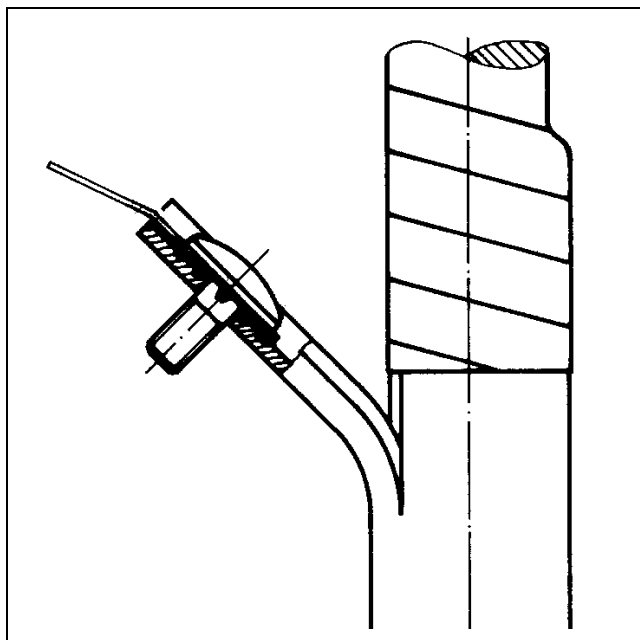
Dimensions (L x W) in mm: 680 x 50

Order data:	Order-No:	Description	Weight/Pack	Pack
	5267 2 578-00	Mounting rail, horizontal for CCC 59m1 and 59m2	1.050 kg	1 piece



Earth Connection Kit

In modular cable heads of the series LSA-PLUS, series 2 and NT, the earth connection kit connects the metal sheath of the cables to the earthed frame of the CCC. The contact at the cable sheathing is by means of a bolt, the connection to the frame by means of a plug.



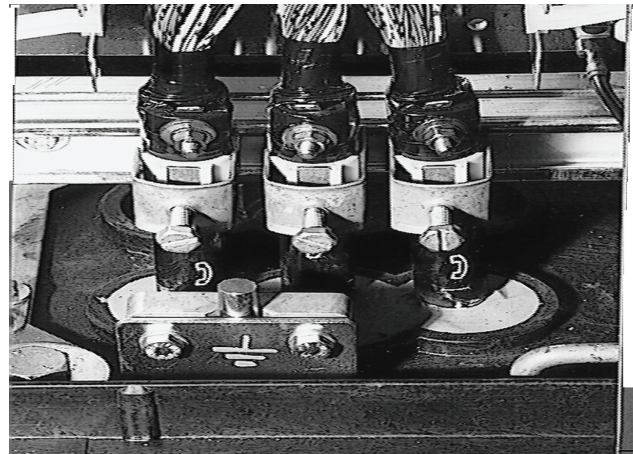
cable sheath contacting

Order data:	Order-No:	Description	Weight/Pack	Pack
	5267 2 533-00	Earth connection kit for cable sheath contacting of 12 cables consists of: 8 cables 300 mm 4 cables 520 mm 12 cable sheath contacting screws	0.300 kg	1 set

Cross Connection Cabinet 59 and Accessories

C Clamps

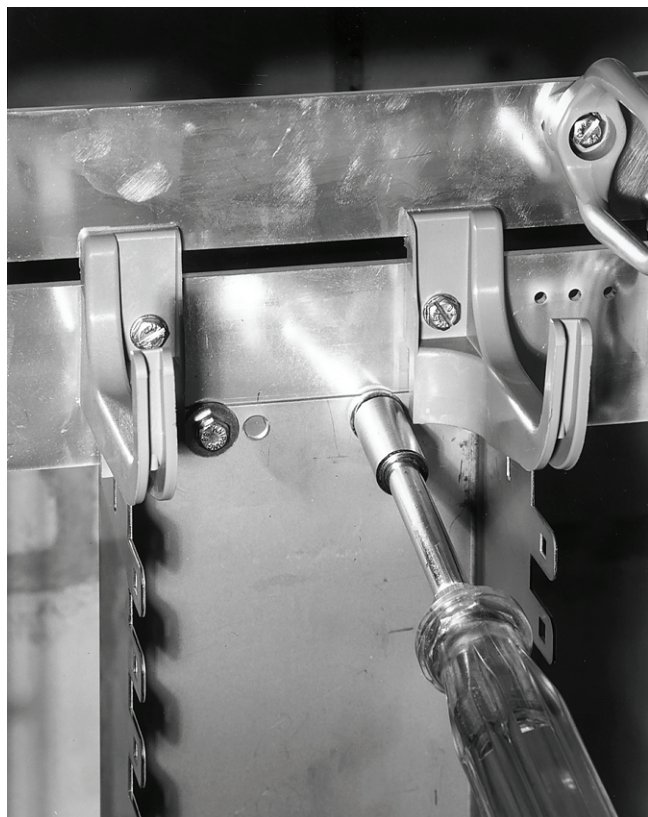
Incoming and outgoing cables are secured in the CCC by means of C clamps on a C-shaped rail above the base plate. A backing plate, which have to be ordered separately, belongs to the C clamp.



Order data:

Order-No:	Description	Weight/Pack	Pack
5267 3 571-04	C clamp for cable diameters of 18-22 mm	0.033 kg	1 piece
5267 3 571-05	C clamp for cable diameters of 22-26 mm	0.041 kg	1 piece
5267 3 571-06	C clamp for cable diameters of 26-30 mm	0.051kg	1 piece
5267 3 571-09	C clamp for cable diameters of 30-34 mm	0.054 kg	1 piece
5267 3 571-08	C clamp for cable diameters of 38-42 mm	0.057 kg	1 piece
5267 3 571-11	C clamp for cable diameters of 50-54 mm	0.100 kg	1 piece
5267 3 572-04	Backing plate for C clamp for cable diameters of 18-22 mm	0.002 kg	1 piece
5267 3 572-05	Backing plate for C clamp for cable diameters of 22-26 mm	0.002 kg	1 piece
5267 3 572-06	Backing plate for C clamp for cable diameters of 26-30 mm	0.003 kg	1 piece
5267 3 572-00	Backing plate for C clamp for cable diameters of 30-34 mm	0.004 kg	1 piece
5267 3 572-08	Backing plate for C clamp for cable diameters of 38-42 mm	0.004 kg	1 piece
5267 3 572-11	Backing plate for C clamp for cable diameters of 50-54 mm	0.023 kg	1 piece

Cross Connection Cabinet 59 and Accessories



Cable guide hooks

Cable Guide Hooks

If the cable guide hooks included in delivery are not sufficient for proper jumper management, additional hooks can be fitted on the uppermost horizontal rail of the rack.

Order data:

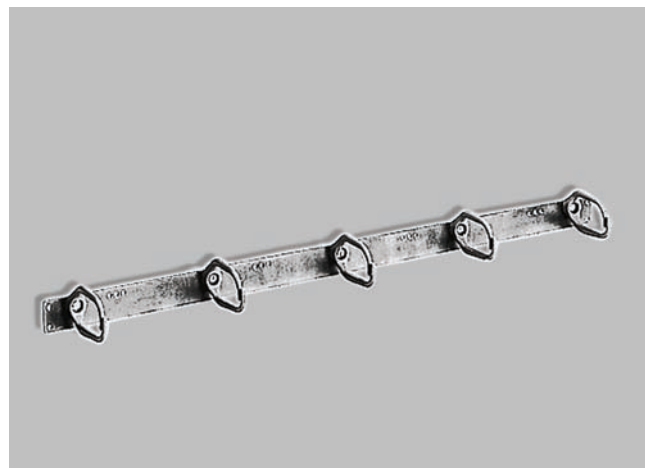
Order-No:	Description	Weight/Pack	Pack
5950 3 032-01	Single guide hook for CCC 59, left	0.025 kg	1 piece
5950 3 032-02	Single guide hook for CCC 59, right	0.025 kg	1 piece

Cross Connection Cabinet 59 and Accessories

Horizontal Jumper Bar for CCC 59

- For single- or double-sided CCC 59
- Pre-assembled
- With fixing materials

An additional jumper guide is recommended for jumpering over several bays.

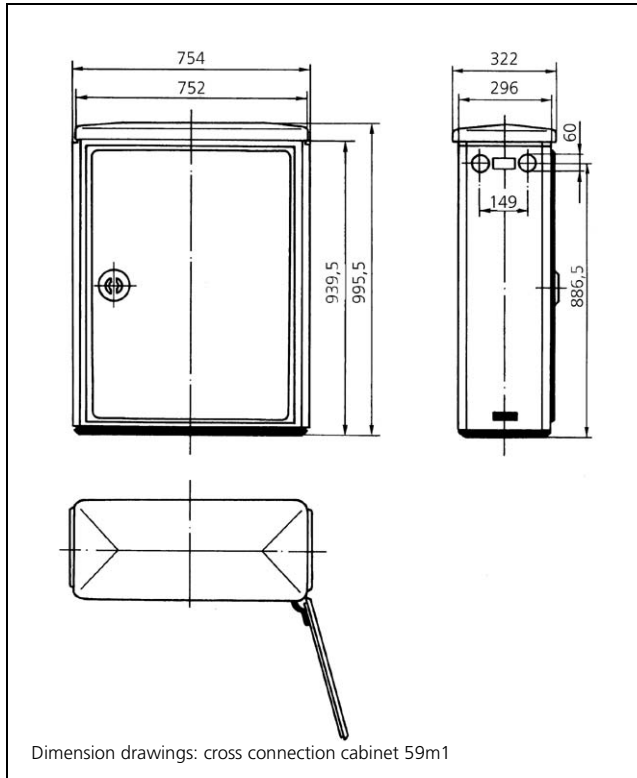


Horizontal jumper bar over 4 bays

Order data:

Order-No:	Description	Weight/Pack	Pack
5267 2 737-00	Horizontal jumper bar over 4 bays for single-sided CCC 59	1.050 kg	1 piece
5267 2 736-00	Horizontal jumper bar over 8 bays for double-sided CCC 59	1.100 kg	1 piece

Cross Connection Cabinet 59 and Accessories



Cross Connection Cabinet 59m1 for Cable Heads

- Fibre-reinforced polyester cabinet
- Door with espagnolette lock, recessed handle and 4-way locking mechanism 19, 1 key
- One-door version available
- With mounting frame (3 vertical perforated rails) for cable heads 80 or cable heads NT (12 x 100 pairs)
- Door retainer and document holder have to be ordered separately

Technical specifications:

Housing material: fibre-reinforced polyester, metal parts, mainly made of nirosta x 5 CrNi 1810

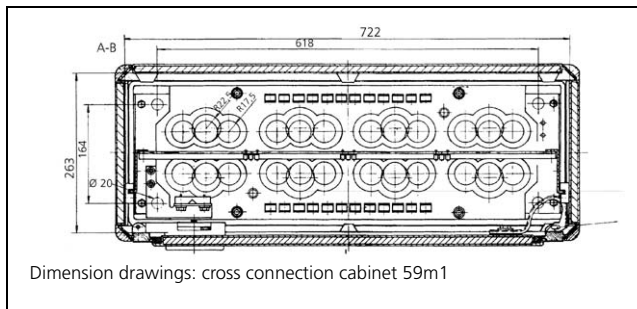
Protection class: IP 54 acc. to DIN IEC 529

Colour: grey (similar RAL 7035)

Flammability class: UL 94V-0

Operating range: -40° C to +80° C, tropic-proof

Design: removable enclosure, sandwich wall design for preventing condensation one-door version with hinges either on the left or right espagnolette locking mechanism (3-point) recessed handle



Order data:	Order-No:	Description	Weight/Pack	Pack
	Cross connection cabinet 59, one-door			
	5267 1 701-01	Cross connection cabinet 59m1 for cable heads max. capacity: 12 x 100 pairs, for cable heads 80 or cable heads NT, tropicalised	53.000 kg	1 piece

Optional accessories	Order-No:	Description	Weight/Pack	Pack
		5267 2 590-01	Jumper guides for perforated rails	0.010 kg

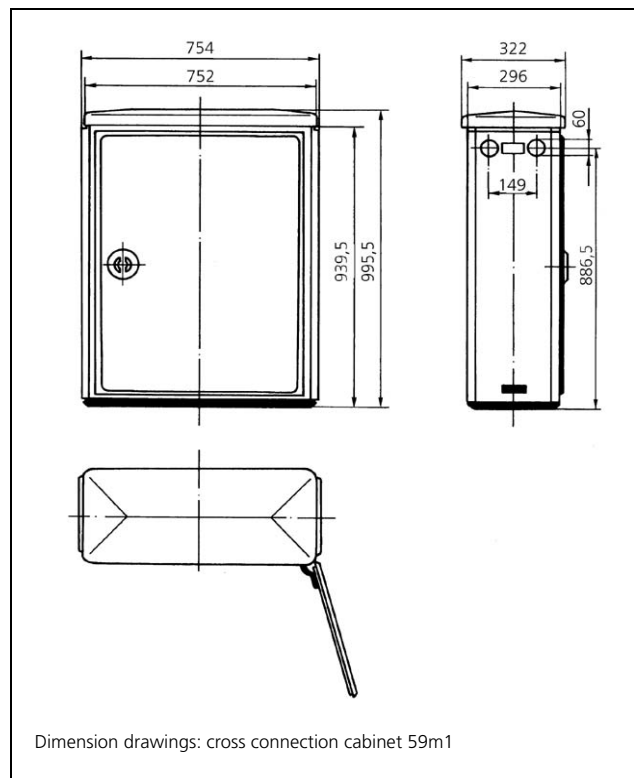
Cross Connection Cabinet 59 and Accessories

Cross Connection Cabinet 59m1/59m2 with Profile Frame

- Fibre-reinforced polyester cabinet
- Door with espagnolette lock, recessed handle and 4-way locking mechanism 19, 1 key
- One-door and two-door versions available
- Usable length of profile rods each 728 mm
- With profile rack for direct fixing of LSA PROFIL modules 2/10
- Door retainer and document holder have to be ordered separately

Technical specifications:

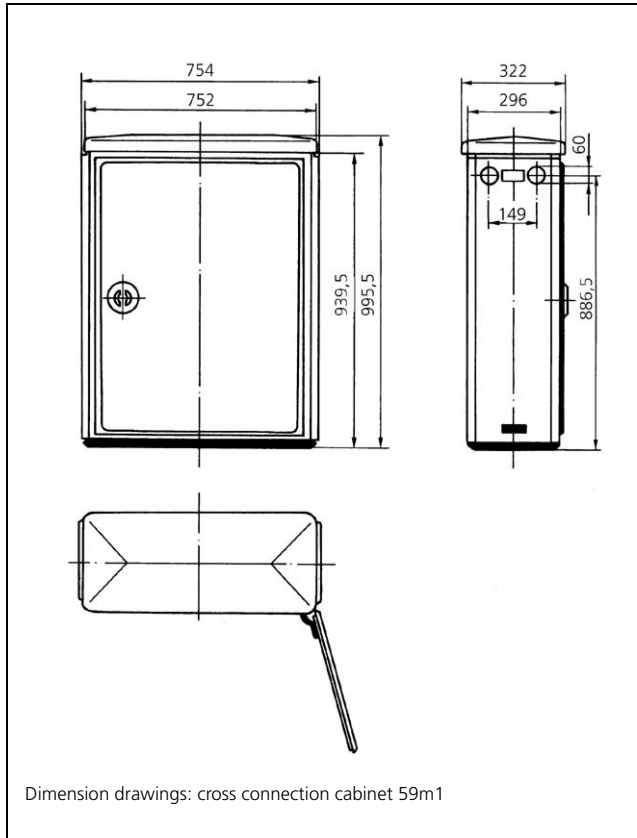
Housing material:	fibre-reinforced polyester, metal parts, mainly made of nirosta x 5 CrNi 1810
Protection class:	IP 54 acc. to DIN IEC 529
Colour:	grey (similar RAL 7035)
Flammability class:	UL 94V-0
Operating range:	-40° C to +80° C, tropic-proof
Design:	removable enclosure, sandwich wall design for preventing condensation one-door and two-door versions with hinges either on the left or right espagnolette locking mechanism (3-point) recessed handle, door retainer



Order data:

Order-No:	Description	Weight/Pack	Pack
Cross connection cabinets 59, one-door			
5267 1 854-00	Cross connection cabinet 59m1 with profile frame, 4 bays, for LSA PROFIL modules 2/10 or LSA PROFIL NT max. capacity: 1200 pairs	53.000 kg	1 piece
5267 1 855-00	Cross connection cabinet 59m1 with profile frame, 3 bays, for LSA PROFIL modules 2/10 or LSA PROFIL NT max. capacity: 900 pairs	52.000 kg	1 piece
Cross connection cabinets 59, two-doors			
5267 1 850-00	Cross connection cabinet 59m2 with double-sided profile frame, 8 bays, for LSA PROFIL modules 2/10 or LSA PROFIL NT max. capacity: 2400 pairs	55.000 kg	1 piece
5267 1 852-00	Cross connection cabinet 59m2 with double-sided profile frame, 6 bays, for LSA PROFIL modules 2/10 or LSA PROFIL NT max. capacity: 1800 pairs	54.000 kg	1 piece

Cross Connection Cabinet 59 and Accessories



Cross Connection Cabinet 59m1 for Fibre Optic Applications

- Fibre-reinforced polyester cabinet
- Door with espagnolette lock, recessed handle and 4-way locking mechanism 19, 1 key
- For installation of FiberPLUS LMSys
- One-door version available
- Door retainer and document holder have to be ordered separately

Technical specifications:

Housing material: fibre-reinforced polyester, metal parts, mainly made of nirosta x 5 CrNi 1810

Protection class: IP 54 acc. to DIN IEC 529

Colour: grey (similar RAL 7035)

Flammability class: UL 94V-0

Operating range: -40° C to +80° C, tropic-proof

Design: removable enclosure, sandwich wall design for preventing condensation

Order data:

Order-No:	Description	Weight/Pack	Pack
5267 1 600-03	Cross connection Cabinet 59m1 for Fibre Optic applications	53.000 kg	1 piece

Cross Connection Cabinet 59 and Accessories

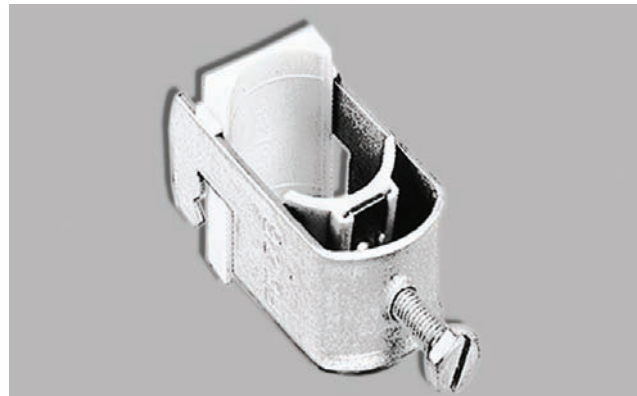
Saddle Clamp

For fixing incoming and outgoing cables on a flat cable rail.

Saddle clamp with backing plate:

For one incoming or one outgoing cable.

One packaging unit contains 3 clamps and 3 backing plates.



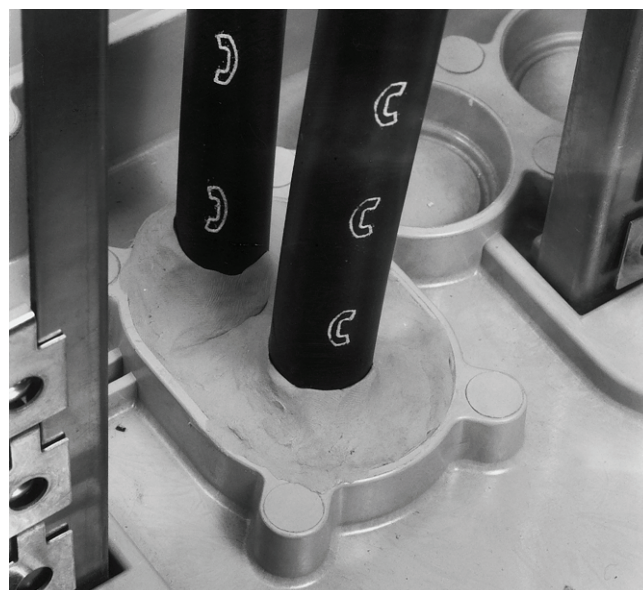
Order data:

Order-No:	Description	Weight/Pack	Pack
Saddle clamp with backing plate			
6619 2 051-00	Saddle clamp for cable diameters of 18-22 mm	0.156 kg	1 set
6619 2 052-00	Saddle clamp for cable diameters of 22-26 mm	0.156 kg	1 set
6619 2 054-00	Saddle clamp for cable diameters of 30-34 mm	0.180 kg	1 set
6619 2 057-00	Saddle clamp for cable diameters of 42-46 mm	0.310 kg	1 set
6619 2 059-00	Saddle clamp for cable diameters of 50-54 mm	0.350 kg	1 set

Sealing Putty

If the cable entries in the base plate of the cabinet do not come with self-sealing seals, these must always be sealed with putty in cabinets without ventilation.

Average amount needed: 6 sticks for a single-sided CCC with 1200 pairs.



Order data:

Order-No:	Description	Weight/Pack	Pack
0099 0 004-00	Sealing putty	0.100 kg	1 piece

Cross Connection Cabinet 59 and Accessories

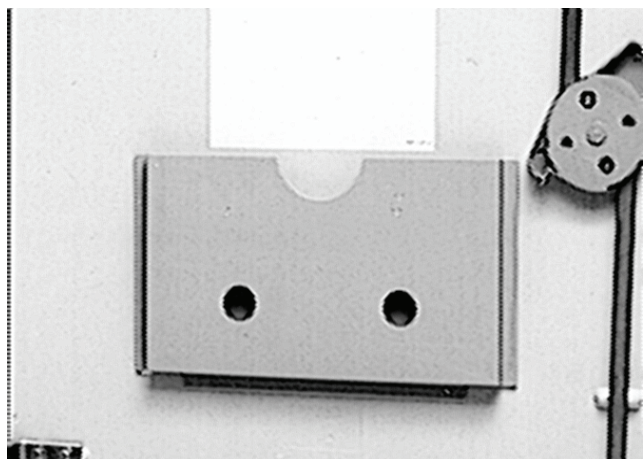


Door Retainer for CCC 59

For CCC 59m1 and CCC 59m2

Order data:

Order-No:	Description	Weight/Pack	Pack
5267 2 621-00	Door retainer for CCC 59	0.575 kg	1 set



Document Holder

Holder for documents, such as cabinet layout plans or assembly instructions. The holder is attached to the inside of the cabinet door.

Order data:

Order-No:	Description	Weight/Pack	Pack
5267 3 537-00	Document holder self-adhesive	0.200 kg	1 piece

Cross Connection Cabinet 59 and Accessories

Concrete-plinth Fixing Kit

For CCC 59.

- 4 masonry bolts, M 16x160 mm, with washers and nuts (galvanised)

**Order data:**

Order-No:	Description	Weight/Pack	Pack
5267 2 530-00	Concrete-plinth fixing kit	1.000 kg	1 set