

## Plinth 1060 with Accessories

### Plinth 1060

The plastic Plinth 1060 is made of weather-proof, dyed polycarbonate and is used to support CCC 59 and Cabinet 82.

#### Its main functions are:

- ❑ To guide the main and branching cables coming from the cable duct or from the underground into the cross connection cabinet.
- ❑ To secure the cross connection cabinet in the ground.

#### Advantages/Benefits:

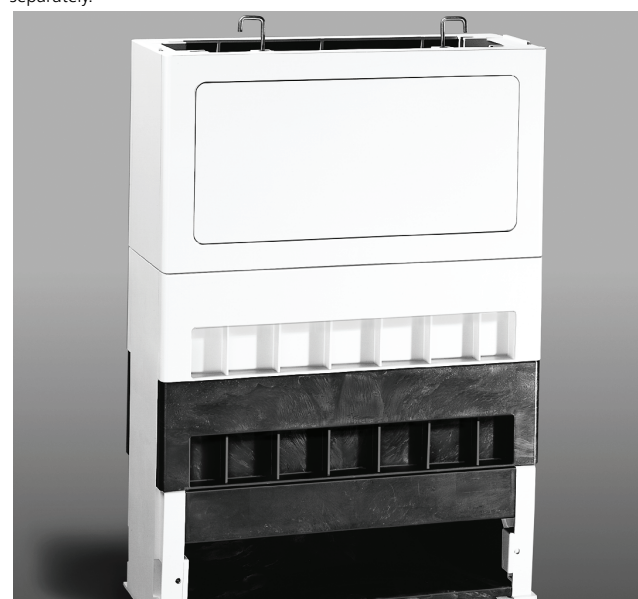
- ❑ Supplied as a fully assembled unit, reducing installation time
- ❑ Base front flap cannot be removed from the outside
- ❑ Inexpensive repair of accident damage due to:
  - Possible de-installation of all cabinet parts (modular design)
  - Exchange of individual plinth parts without removing existing cables
  - Exchange of pre-stressed break off joints
- ❑ Product can be fully recycled. The polycarbonate material can be re-used for production.

#### Technical specifications:

Application range:	air temperature -30 to +60°C
Excavation depth:	660 mm
Cabinet materials:	section above ground also front and side plates below ground: polycarbonate, glass-fibre reinforced
	section below ground (filler plates, cable guides, connection plates): polypropylene
Colour:	grey (similar RAL 7035)
Flammability class:	UL 94V-0
Metal parts:	sheet-steel, galvanised, yellow-chromized or stainless steel



Plinth 1060, standard with front flap removed. Front flaps must be ordered separately.

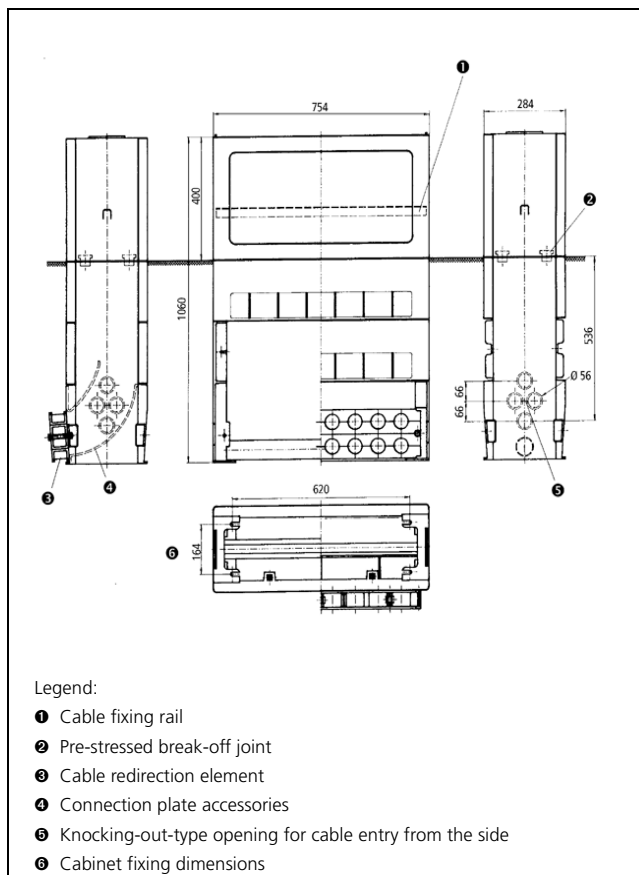


Plinth 1060 Comfort with closed front-plate. The front-plate has to be ordered separately.

#### Order data:

Order-No:	Description	Weight/Pack	Pack
7025 2 017-00	Plinth 1060, standard for underground cable entry; fully assembled without front flap and conduit connection plate, with fixing kit and cable fixing rail	19.400 kg	1 piece
7025 2 027-00	Plinth 1060, comfort for cable conduit systems; fully assembled without front flap and conduit connection plate, with fixing kit and cable fixing rail	27.700kg	1 piece

## Plinth 1060 with Accessories

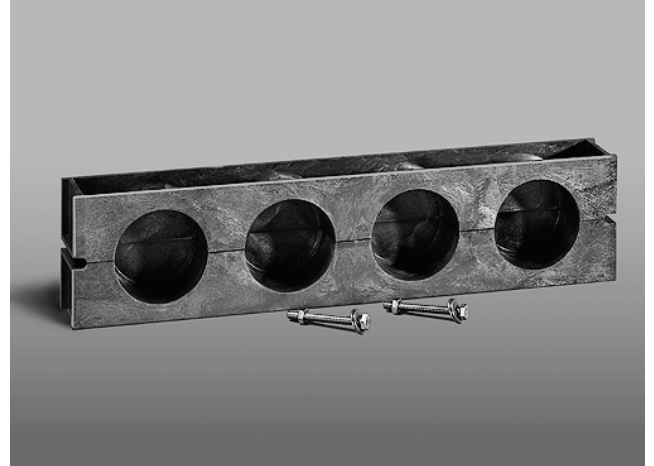


Special accessories:	Order-No:	Description
	7025 2 005-00	Connection plate 4 DN 100 for plinth 1060 and plinth 83. for accommodating up to 4 cable conduits with an overall diameter of 110 mm
	7025 2 006-00	Connection plate 16 DN 50 for plinth 1060 and plinth 83 for accommodating up to 16 cable conduits with an overall diameter of 50 mm
	7025 2 007-00	Front panel, without ventilation for plinth 1060
	7025 2 008-00	Front panel, with ventilation for plinth 1060

Spare parts:	Order-No:	Description	Weight/Pack	Pack
	7025 2 002-00	Plinth 1060, upper section for plinth 1060	12.000 kg	1 piece
	7025 2 003-00	Pre-stressed break-off joints with fixing materials for plinth 1060 and plinth 83	0.350 kg	4 pieces

## Plinth 1060 with Accessories

### Connection Plate 4 DN 100

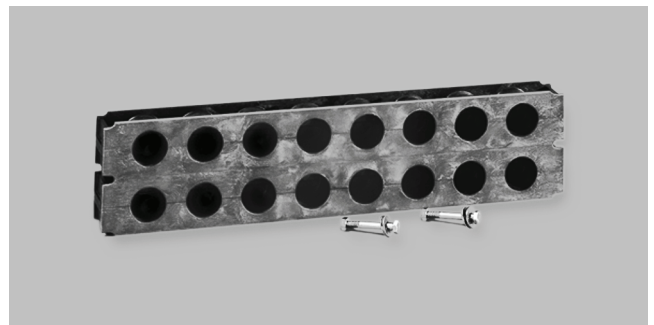


Connection plate 4 DN 100 for 4 tubes  
with connection diameter of 110 mm

**Order data:**

Order-No:	Description	Weight/Pack	Pack
7025 2 005-00	Connection plate 4 DN 100 for plinth 1060 and plinth 83. for accommodating up to 4 cable conduits with an overall diameter of 110 mm	2.600 kg	1 piece

### Connection Plate 16 DN 50



Connection plate 16 DN 50 for 16 tubes  
with overall diameter of 50 mm

**Order data:**

Order-No:	Description	Weight/Pack	Pack
7025 2 006-00	Connection plate 16 DN 50 for plinth 1060 and plinth 83 for accommodating up to 16 cable conduits with an overall diameter of 50 mm	2.700 kg	1 piece

## Plinth 1060 with Accessories

### Front Panel

**Order data:**

Order-No:	Description	Weight/Pack	Pack
7025 2 007-00	Front panel, without ventilation for plinth 1060	1.800 kg	1 piece
7025 2 008-00	Front panel, with ventilation for plinth 1060	2.400kg	1 piece



### Plinth 1060, Upper Section

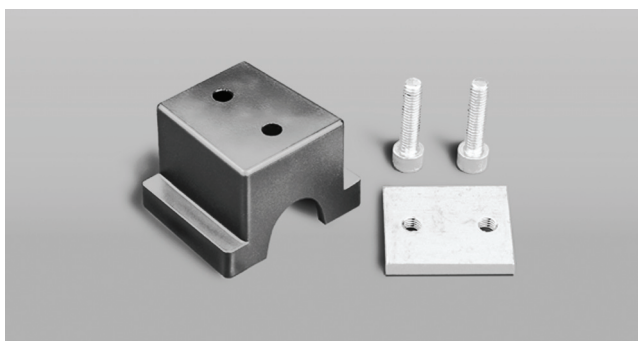
Fully assembled, front flap without ventilation with cable fixing rail and fixing kit for the cabinet to be installed;

Colour: grey (similar to RAL 7035)

Pre-stressed break off joints must be ordered separately

**Order data:**

Order-No:	Description	Weight/Pack	Pack
7025 2 002-00	Plinth 1060, upper section for plinth 1060	12.000 kg	1 piece



### Pre-stressed Break-off Joints with Fixing Materials

**Order data:**

Order-No:	Description	Weight/Pack	Pack
7025 2 003-00	Pre-stressed break-off joints with fixing materials for plinth 1060 and plinth 83	0.350 kg	4 pieces