

BUDI Splice/Patch with FIST

Building distribution enclosure for splice/patch applications

What is BUDI?

BUDI is a product range of compact, wall mountable fiber enclosures for indoor and outdoor use. They are specifically designed for fast deployment and easy customer connection. The FIST management system is a proven TE Connectivity technology for optimal fiber organization and splicing. In combination with a patch panel, this system offers ultimate flexibility.

Available with splicing and/or patching capabilities, high connector density, small and larger footprints, the BUDI product range offers flexible solutions for a wide range of applications in the access network.

Benefits

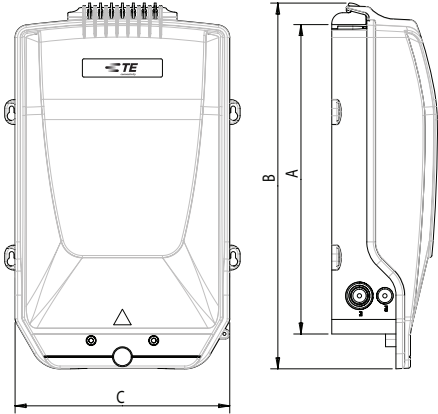
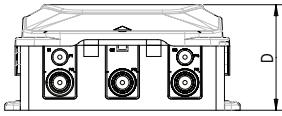
- Easy to install
- Compact and flexible design
- Fast customer connection
- Extensive product range
- Proven FIST fiber management system

Features

- Designed to operate in category C (controlled), category G (outdoor ground level) and category A (aerial) as characterized by IEC 61753-1
- Fire retardant, LSZH materials
- UV stable material for outdoor above ground use
- Multiple cable ports available
- Bottom cable seal blocks are wrap-around
- UMS (Universal Mounting System) available to mount single element/single circuit trays splice trays
- Compatible with pre-connectorized Mini-Breakout cable
- Allows integration of passive optical components
- Small and large footprints
- Multiple accessories available to terminate and seal different cable types
- Removable enclosure lid

Features		Type of BUDI				
		BUDI-2S-T	BUDI-1S-T	BUDI-S-T	BUDI-M-TP	BUDI-M-TA
UMS		6	8	24	24	24
Ports	SC	8	16	24	36	48
	LC	12	32	48	72	72
Splices	Single circuit	12	16	48	48	48
	Single element	36	48	144	144	144
Cable loop		no	yes	yes	yes	yes
Lock		lead wire	key	key	key	key
FSASA splitter integration		no	yes	yes	yes	yes

Dimensions



Size	BUDI-2S	BUDI-1S	BUDI-S	BUDI-M
A: Height box (mm)	260	340	425	480
B: Height cover (mm)	285	420	500	550
C: Width (mm)	155	240	295	360
D: Depth (mm)	60	120	145	175

Ordering Information

Pre-configured box

BUDI-2S-T-XX XX E S

Number of adapters and pigtails*

- 02 SC/LC
- 04 SC/LC
- 06 SC/LC
- 08 SC/LC
- 12 LC only

Type of adapter and pigtail

- S1 SC/UCP
- S2 SC/APC 8°
- L1 LC/UPC
- L2 LC/APC

* Pigtails and adapters are included in the packaging but not pre-installed in the product

Pre-configured box

BUDI-1S-T-X - XX XX XX X X

Lock

- A No lock
- B TE lock

Splice holder

- S SMOUV
- N No splice

Number of adapters and pigtails*

- 12 SC/LC
- 16 SC/LC
- 24 LC only
- 32 LC only
- NN No adapters

Type of tray

- C single circuit
- E single element
- N No tray

Type of adapter and pigtail

- S1 SC/UCP
- S2 SC/APC 8°
- L1 LC/UPC
- L2 LC/APC
- NN No adapters

Number of splices

- 16 single circuit/single element
- 24 single element only
- 32 single element only

* Pigtails and adapters are included in the packaging but not pre-installed in the product

Pre-configured box

BUDI-S-T- X - XX XX XX X X

Lock

- A No lock
- B TE lock

Number of adapters and pigtails*

- 12 SC/LC
- 16 SC/LC
- 24 SC/LC
- 36 LC only
- 48 LC only
- NN No adapters

Type of adapter and pigtail

- S1 SC/UCP
- S2 SC/APC 8°
- L1 LC/UPC
- L2 LC/APC
- NN No adapters

Splice holder

- S SMOUV
- N No splice

Type of tray

- C single circuit
- E single element
- N No tray

Number of splices

- 00 single circuit/single element
- 12 single circuit/single element
- 16 single circuit/single element
- 24 single circuit/single element
- 32 single circuit/single element
- 36 single circuit/single element
- 48 single circuit/single element

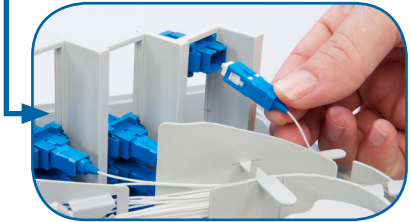
* Pigtails and adapters are included in the packaging but not pre-installed in the product

Pre-configured box

BUDI - M - XX - X - XX XX XX X X

Patch type

- TP PAPAN integration
- TA Sliding adapter pack*



Lock

- A No lock
- B TE lock

Splice holder

- S SMOUV
- N No splice

Type of tray

- C single circuit
- E single element
- N No tray

Number of splices

- 00 single circuit/single element
- 24 single circuit/single element
- 36 single circuit/single element
- 48 single circuit/single element
- 72 single element only

Adapter and pigtail type

- S1 SC/UCP
- S2 SC/APC 8°
- L1 LC/UPC
- L2 LC/APC
- NN No adapters

Number of adapters and pigtails**

- 24 SC/LC
- 36 SC/LC
- 48 for SC in TA only
- 72 LC only
- NN No adapters for TP only

* Sliding adapter packs not included in empty variant.

** Pigtails and adapters are included in the packaging but not pre-installed in the product.

Accessory required for BUDI-M-TA

BUDI - M - APACK - 12 - XX - X

Number of connections

12

Adapter and pigtail type

- S1 SC/UCP
- S2 SC/APC 8°
- L1 LC/UPC
- L2 LC/APC

Configuration

- A Adapter only
- P Pigtails & adapters

For more technical options and order quantity information, please consult the product ordering guides or your local sales representative.

FIST, SMOUV, TE (logo) and TE Connectivity are trademarks of the TE Connectivity family of companies and its licensors.

The information given herein, including drawings, illustrations and schematics which are intended for illustration purposes only, is believed to be reliable. However, TE Connectivity makes no warranties as to its accuracy or completeness and disclaims any liability in connection with its use. TE Connectivity's obligations shall only be as set forth in TE Connectivity's Standard Terms and Conditions of Sale for this product and in no case will TE Connectivity be liable for any incidental, indirect or consequential damages arising out of the sale, resale, use or misuse of the product. Users of TE Connectivity products should make their own evaluation to determine the suitability of each such product for the specific application.

Tyco Electronics Raychem bvba
 Dietssesteenweg 692
 3010 Kessel-Lo, Belgium
 Tel 32-16 351 011 (USA)1-919-557-8900
 Fax 32-16 351 697(USA)1-919-557-8498
 www.te.com
 www.telecomnetworks.com
 TC 1162/DS/2 09/13

