



48-DROP FTTH ENCLOSURE

FIST-EDSA

TE Connectivity's fiber optic splice closures are synonymous with excellence in sealing, fiber management, ease of use and design flexibility. Building on almost 30 years of innovation and industry leadership, TE's new FIST-EDSA FTTH closure enables faster and easier installation of direct buried cables and speed pipes.

The FIST-EDSA features innovative sealing and cable retention for a range of cables, combined with proven gel seal technology and FIST fiber management hardware.

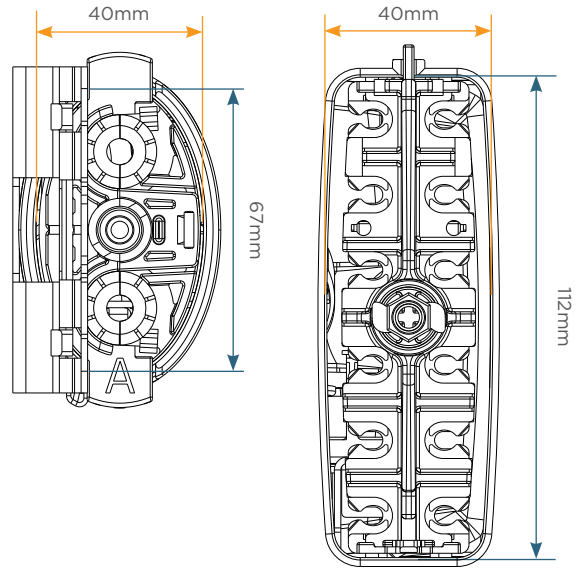
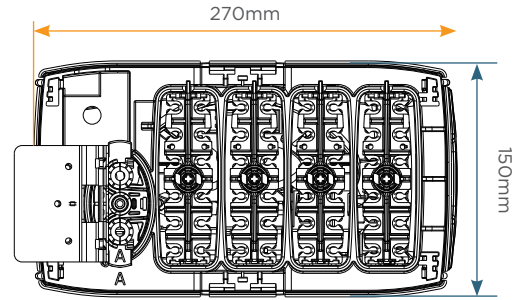
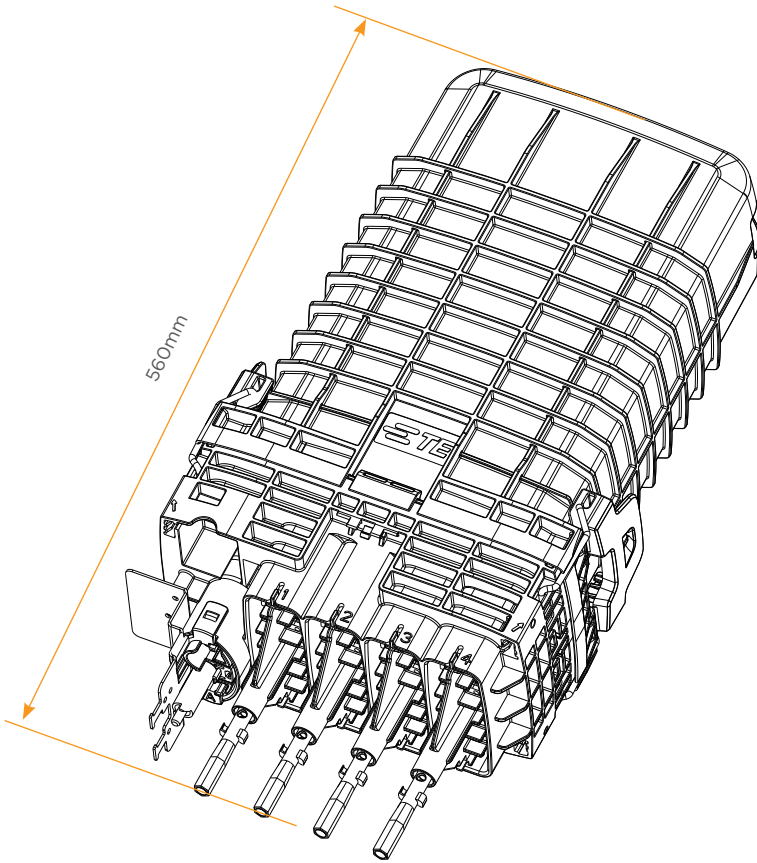
FEATURES

- Single-ended base and dome design with only two latches
- Four long oval-shaped gel-sealed drop ports for 12 drop cables each (maximum 48 drops)
- One oval shaped gel-sealed feeder port
- Feeder loop possibility
- Feeder cable diameter maximum 16mm
- Drop cable diameter range: 5-8mm
- Fast, easy, toolless installation
- Single-sided UMS (Universal Mounting System) frame allows mounting of FIST management grooveplates and trays
- Repair and upgrade possibility
- Intuitive identification
- Eliminates need for waterblock connectors
- New cable attachment design: toolless and wrap-around installation

48-Drop FTTH Enclosure

FIST-EDSA

DIMENSIONS AND CAPACITIES



ORDERING INFORMATION

Dimensions in mm

Length	560
Width at base	270
Depth at base	150

Cable port dimensions in mm

Drop ports 1, 2, 3 and 4	112 x 40
Feeder port	67 x 40

Cable diameter in mm

Feeder port (2 cables/port)

Minimum Ø:	5
Maximum Ø:	16

Drop ports (12 cables/port)

Minimum Ø:	5
Maximum Ø:	8

Splice capacity

	Fibers	Trays
Single circuit splicing (2 primary coated fibers)	64	16
Single element splicing (12 primary coated fibers)	96	8

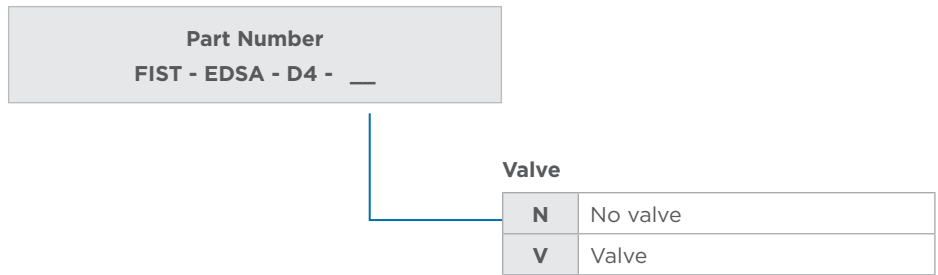
Capacities shown above are based on FIST-SOSA2 trays; capacity can be increased by the use of FIST-SOSA2-5SE modules or FIST-SOSA2-SLE trays. Please contact your local TE sales representative for more information.

NOTE: Use of the FIST-SOSA2-SLE limits fiber length and allowable bend radius.

48-Drop FTTH Enclosure

FIST-EDSA

ORDERING INFORMATION



KIT INCLUDES

Closure with UMS mounting frame and feeder seal

ACCESSORIES

- FIST-SOSA2 splice trays ordered separately (please contact your local TE Connectivity sales representative)
- Drop seals and mounting bracket ordered separately (see below)

Description	Part Number
Mounting bracket	EDSA-MOBRA
Drop seal	EDSA-SKG12-5/8
Dummy drop seal	EDSA-DUMMY

te.com

TE Connectivity, TE Connectivity (logo) and Every Connection Counts are trademarks. All other logos, products and/or company names referred to herein might be trademarks of their respective owners.

The information given herein, including drawings, illustrations and schematics which are intended for illustration purposes only, is believed to be reliable. However, TE Connectivity makes no warranties as to its accuracy or completeness and disclaims any liability in connection with its use. TE Connectivity's obligations shall only be as set forth in TE Connectivity's Standard Terms and Conditions of Sale for this product and in no case will TE Connectivity be liable for any incidental, indirect or consequential damages arising out of the sale, resale, use or misuse of the product. Users of TE Connectivity products should make their own evaluation to determine the suitability of each such product for the specific application.

© 2014 TE Connectivity Ltd. family of companies All Rights Reserved.

318842.3 01/15 Revision

PRODUCT SHEET

TE Connectivity
Broadband Network Solutions - EMEA

Diestsesteenweg 692
3010 Kessel-Lo, Belgium

Tel 32-16 351 011
www.te.com/bns

Tyco Electronics Raychem bvba,
a TE connectivity company.