

## TYPE 1 – 12" Installation on Top

### TYPE 1 :

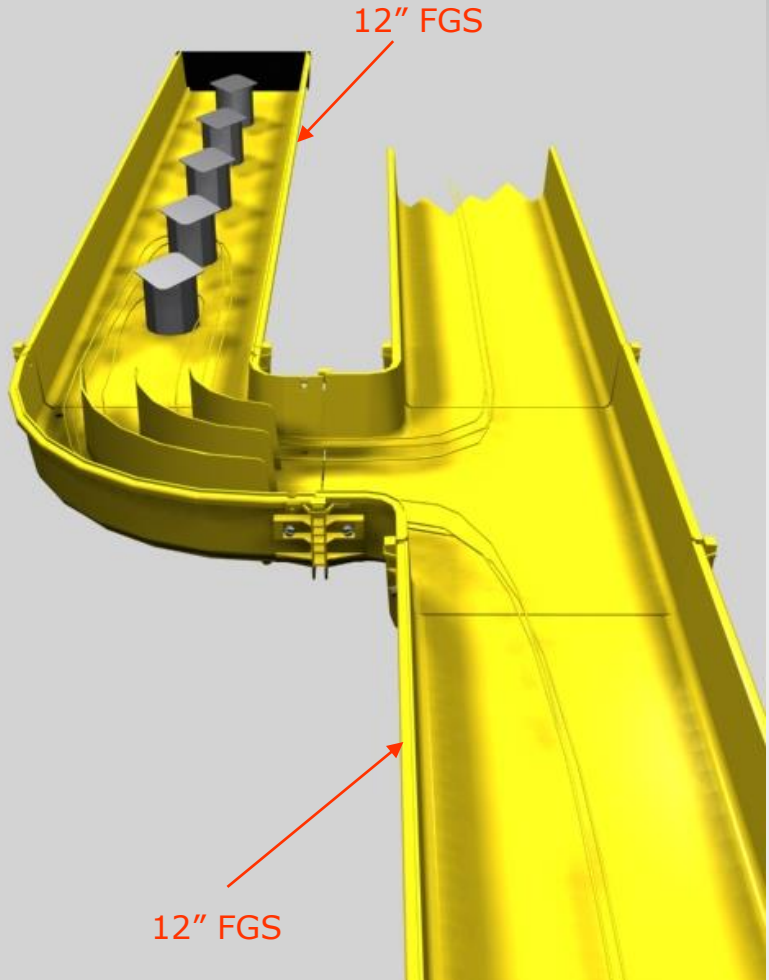
#### 12 inch installation on top

12" horizontal storage section	FGS-MSHS-STOR-F	1 ea
12" end cap kit	FGS-HMEC-F	1 ea
12" junction assembly	FGS-JUNC-F	1 ea
12" 90 degrees down elbow	FGS-MD9E-F	1 ea
12" trumpet flare kit	FGS-MTRM-F	1 ea

support brackets: depends of installation situation:

center support bracket kit	FGS-HTUB-F-xx	2 ea	<b>OR</b> <b>OR</b>
new threaded rod bracket kit	FGS-HNTR-F-xx	2 ea	
top support C-bracket	FGS-HNTS-F-xx-LP	2 ea	

Überlängenaufnahme im FGS



## TYPE 2 – 12" Installation on Side

**TYPE 2:**

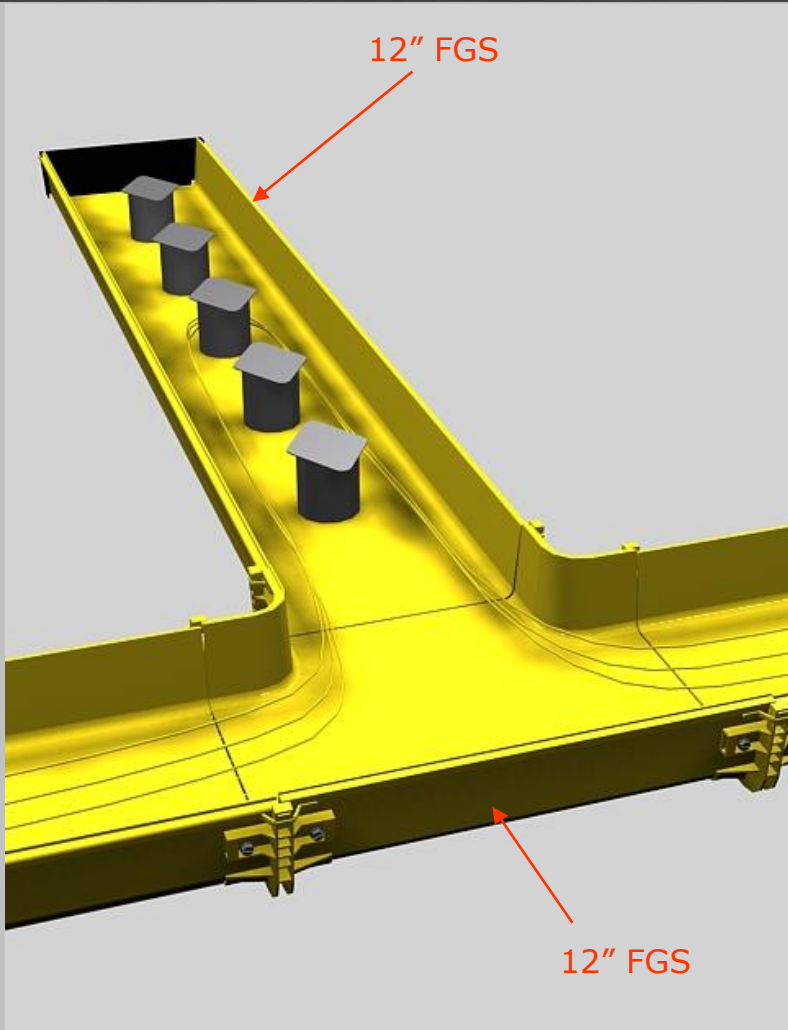
**12 inch installation on side**

12" horizontal storage section	FGS-MSHS-STOR-F	1 ea
12" end cap kit	FGS-HMEC-F	1 ea
12" junction assembly	FGS-JUNC-F	4 ea
12" 90 degrees horizontal elbow	FGS-MH9E-F	1 ea
12" horizontal Tee	FGS-MHRT-F	1 ea

support brackets: depends of installation situation:

center support bracket kit	FGS-HTUB-F-xx	2 ea
new threaded rod bracket kit	FGS-HNTR-F-xx	2 ea
top support C-bracket	FGS-HNTS-F-xx-LP	2 ea

**OR**  
**OR**



## TYPE 3 – 12" Installation T-Connexion

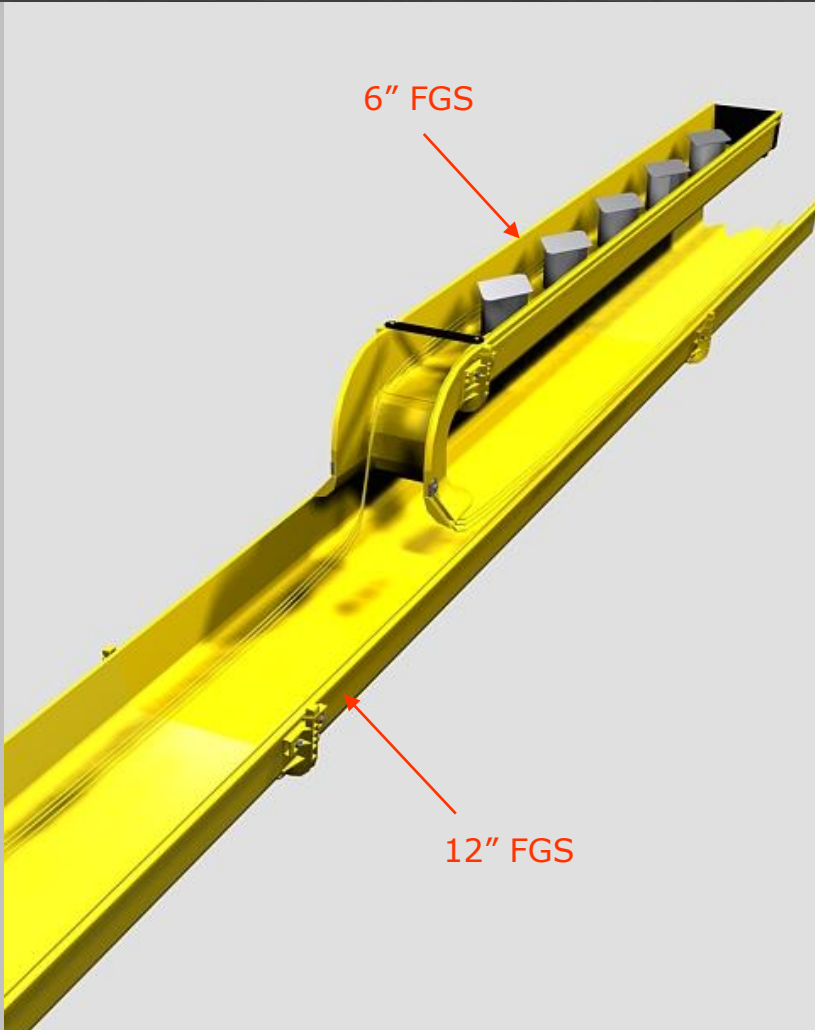
### TYPE 3:

#### 12 inch installation T connexion

12" horizontal storage section	FGS-MSHS-STOR-F	1 ea
12" end cap kit	FGS-HMEC-F	1 ea
12" junction assembly	FGS-JUNC-F	3 ea
12" horizontal Tee	FGS-MHRT-F	1 ea

support brackets: depends of installation situation:

center support bracket kit	FGS-HTUB-F-xx	2 ea	<b>OR</b> <b>OR</b>
new threaded rod bracket kit	FGS-HNTR-F-xx	2 ea	
top support C-bracket	FGS-HNTS-F-xx-LP	2 ea	



## TYPE 4 – 6" Installation on Top

**TYPE 4 :**

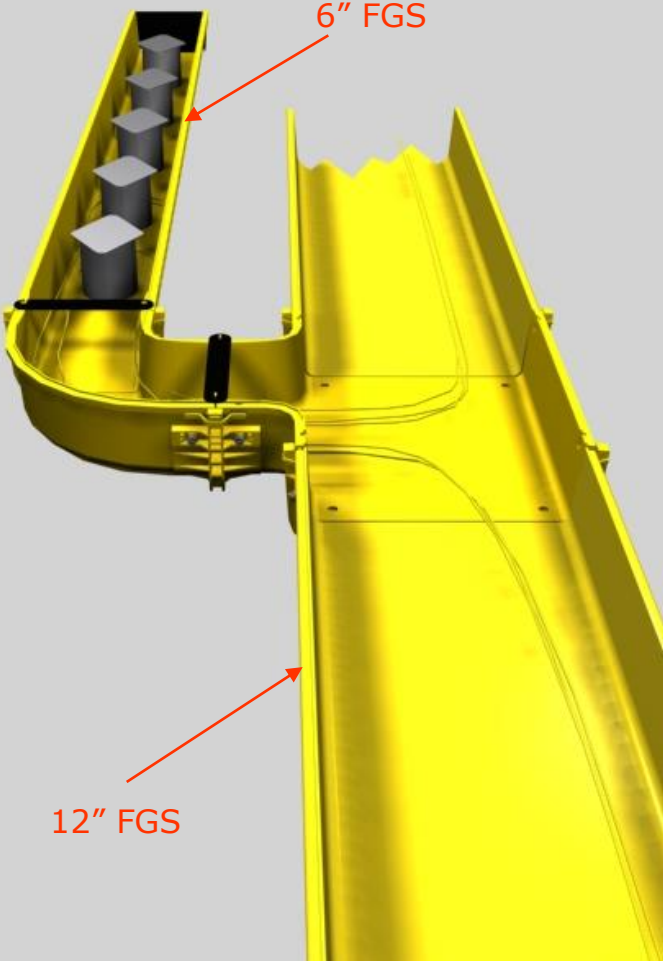
**6 inch installation on top**

6" horizontal storage section	FGS-MSHS-STOR-B	1 ea
6" end cap kit	FGS-HMEC-B	1 ea
6" junction assembly	FGS-JUNC-B	1 ea
6" 90 degrees down elbow	FGS-MD9E-B	1 ea
6" trumpet flare kit	FGS-MTRM-B	1 ea

support brackets: depends of installation situation:

center support bracket kit	FGS-HTUB-xx	2 ea	<b>OR</b> <b>OR</b>
new threaded rod bracket kit	FGS-HNTR-xx	2 ea	
top support C-bracket	FGS-HNTS-xx-LP	2 ea	

## TYPE 5 – 6" Installation on Side



**TYPE 5:**

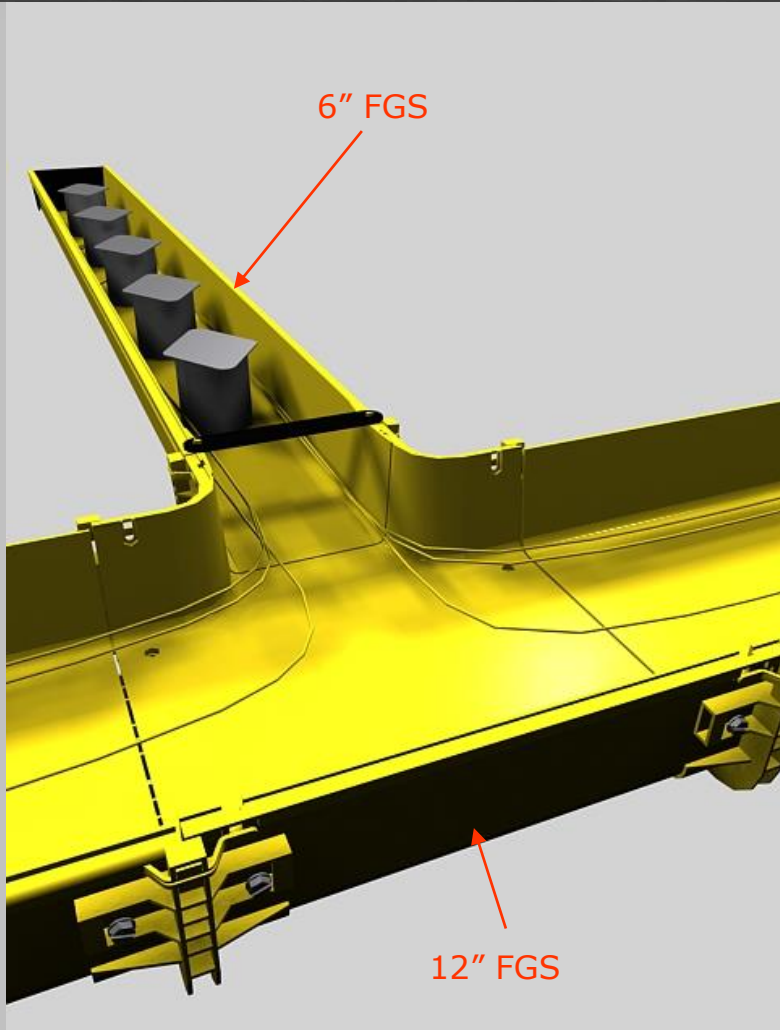
**6 inch installation on side**

6" horizontal storage section	FGS-MSHS-STOR-B	1 ea
6" end cap kit	FGS-HMEC-B	1 ea
6" junction assembly	FGS-JUNC-B	2 ea
12" junction assembly	FGS-JUNC-F	2 ea
6" 90 degrees horizontal elbow	FGS-MH9E-B	1 ea
12" horizontal Tee	FGS-MHRT-F	1 ea

support brackets: depends of installation situation:

center support bracket kit	FGS-HTUB-xx	2 ea
new threaded rod bracket kit	FGS-HNTR-xx	2 ea
top support C-bracket	FGS-HNTS-xx-LP	2 ea

**OR**  
**OR**



## TYPE 6 – 6" Installation T-Connexion

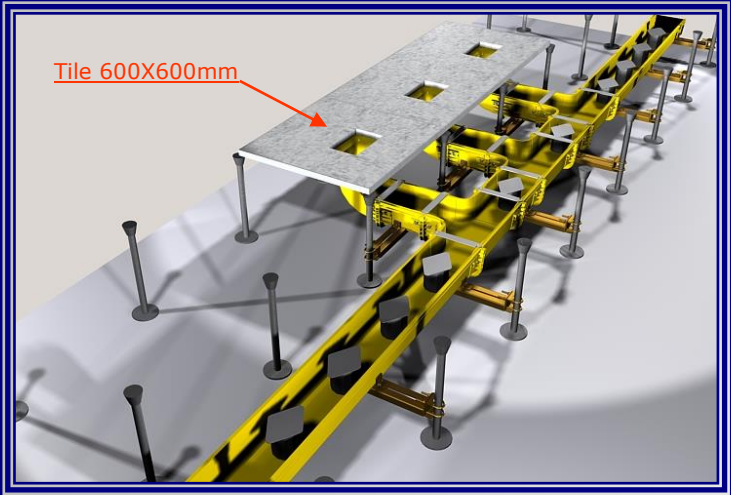
**TYPE 6:**

**6 inch installation T connexion**

6" horizontal storage section	FGS-MSHS-STOR-B	1 ea
6" end cap kit	FGS-HMEC-B	1 ea
6" junction assembly	FGS-JUNC-B	1 ea
12" junction assembly	FGS-JUNC-F	2 ea
12" horizontal Tee	FGS-MHRT-F	1 ea

support brackets: depends of installation situation:

center support bracket kit	FGS-HTUB-xx	2 ea	<b>OR</b> <b>OR</b>
new threaded rod bracket kit	FGS-HNTR-xx	2 ea	
top support C-bracket	FGS-HNTS-xx-LP	2 ea	



FGS im Doppelboden

