

# CONTEG DATASHEET

**FREE-STANDING RACKS**

## PREMIUM Server RSF

**CONTEG, spol. s r.o.**

**Headquarters:**

Na Vítězné pláni 1719/4  
140 00 Prague 4  
Czech Republic  
Tel.: +420 261 219 182  
Fax: +420 261 219 192

**Production plant:**

K Silu 2179  
393 01 Pelhřimov  
Czech Republic  
Tel.: +420 565 300 300  
Fax: +420 565 533 955

conteg@conteg.com  
www.conteg.com

**Local Branches/Offices**

|                                     |                   |
|-------------------------------------|-------------------|
| Austria / Germany /<br>Switzerland: | +420 724 723 184  |
| Benelux:                            | +32 477 957 126   |
| Southeastern Europe:                | +49 172 8484 346  |
| Finland:                            | +358 50 414 1257  |
| France / Italy / Maghreb:           | +33 686 074 386   |
| Middle East:                        | +971 4445 2838    |
| Russia / CIS:                       | +7 495 967 3840   |
| Saudi Arabia:                       | +966 594 30 13 08 |
| Ukraine:                            | +380 674 478 240  |

## 2.3 PREMIUM Server RSF

The PREMIUM Server RSF rack is designed as a pure server cabinet for data centers, equipment rooms and network or telecommunication closets. RSF's heavy-duty, all-welded design and 1500 kg load rating mean that it's possible to accommodate the heavy equipment within a standard rack footprint. The RSF comes with a full range of doors, panels and locks. Available in various heights and depths, RSF is designed to work with Conteg's airflow optimization solutions and flexible cable management systems, which means that RSF can be tailored to suit your needs. RSF can be used with many complementary systems (e.g. Intelligent Power PDUs), making your servers safe and secure.



RSF-42-80/10A

### DESCRIPTION:

#### Sizes

- Height: 27, 42, 45, 48, 52U (52U not available for 800 mm depth)
- Width: 600, 800 mm
- Depth: 800, 1000, 1200 mm (1200 mm not available for 27U)

#### Construction

- Welded-frame design
- 1.5 & 2.0 mm sheet steel

#### Load rating

- 1500 kg balanced load (1000 kg for 27U only)

#### 19" vertical extrusions

- 2 pairs of sliding 19" vertical A-type (600 or 800 mm) extrusions without horizontal holders; (for 800 mm provide additional 24U of installation space – valid for racks 42U and taller), adjustable from inside
- Optionally 2 pairs of sliding 19" vertical L-type (600 mm) or P-type (800 mm) extrusions (Provide additional 12U of installation space – valid for racks 42U and taller), adjustable from inside, Rear pair of vertical extrusions is divided in up to 3 parts (according to rack's height) for individual settings according to server depth

#### IP rating

- Standard IP20
- IP40 when solid doors or panels applied
- Optionally up to IP54 with multipoint lock only
- A/C-ready – IP54 when A/C unit installed with multipoint lock only

#### Colors

- Standard RAL 9005

#### Front door

- Vented door – perforation rate 86%
- Swivel handle lock – DIN profile, universal key 333, multipoint; optionally combination lock or electronic locks; single or multipoint
- Door opening angle 180°
- Easy re-hanging to open on right or left

- Optionally glass, steel, perforated, glass with perforation, vertically divided door

#### Rear door

- Vented door – perforation rate 86%
- Swivel handle lock – DIN profile, universal key 333, multipoint; optionally combination lock or electronic locks; single or multipoint
- Optionally can be replaced by full range of front doors and panels

#### Side panels

- Removable with locks

#### Top plate

- Single-piece design, removable
- 4" (100 mm) rounded cable entry in every corner covered by plastic cap
- 300x100 mm cable entries covered with removable sheet steel blank panels

#### Bottom plate

- Segmented design, removable
- 4" (100 mm) rounded cable entry in every corner covered by plastic caps
- 300x100 mm cable entries covered with removable sheets steel blank panels

#### Feet

- Adjustable feet as standard; plinth or plinth with filter options

#### Adaptation

- Possibility to adapt for installation of 21" equipment (on request only for 800 mm width)
- Adaptor DP-RE-01 needed (ordered separately)

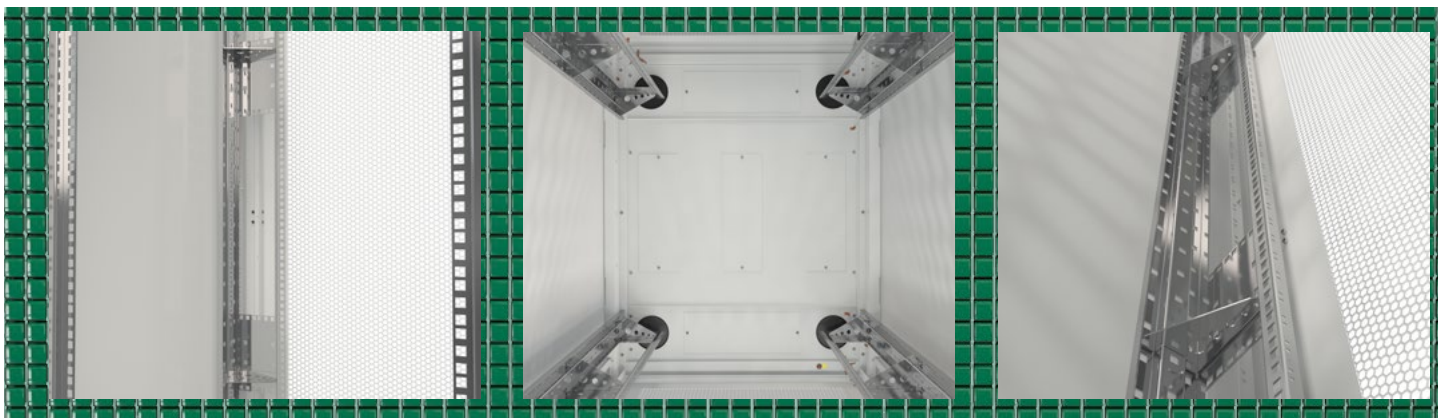
#### Other

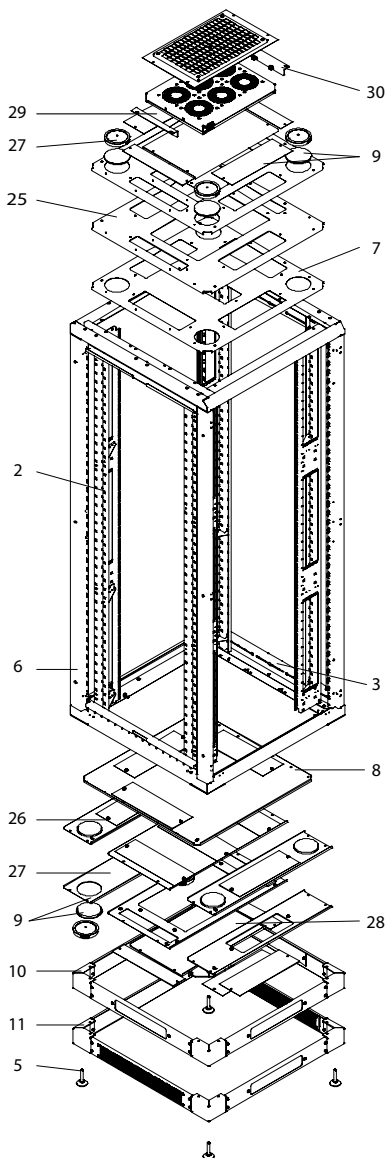
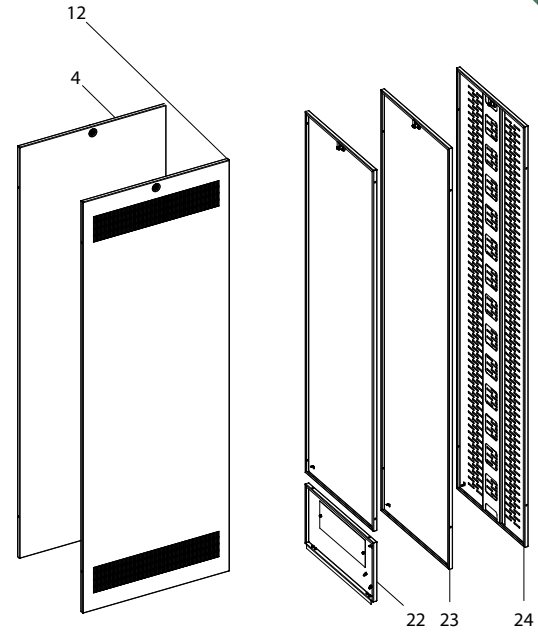
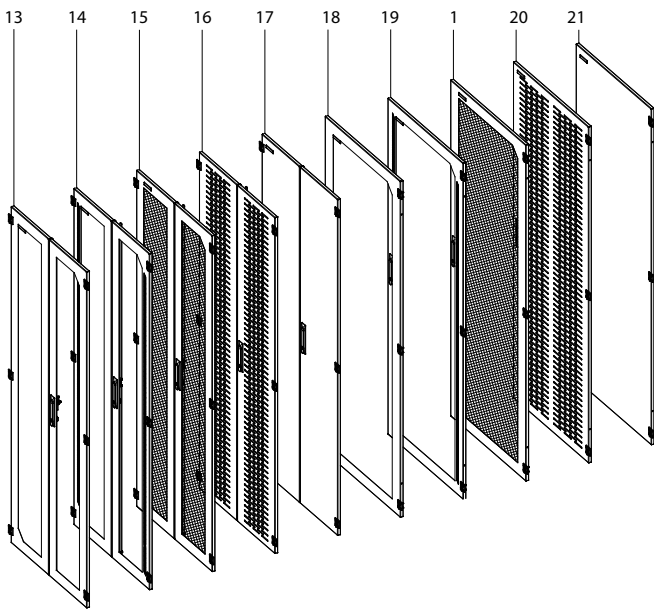
- Racks can be installed in blocks by using DP-DR-UNI (ordered separately)
- CoolTeg and CoolSpot cooling units compatible – see page 101 for details
- GND/earthing kit included

### COLOR SAMPLER:

RAL 9005

RAL 7035





#### STANDARD EQUIPMENT

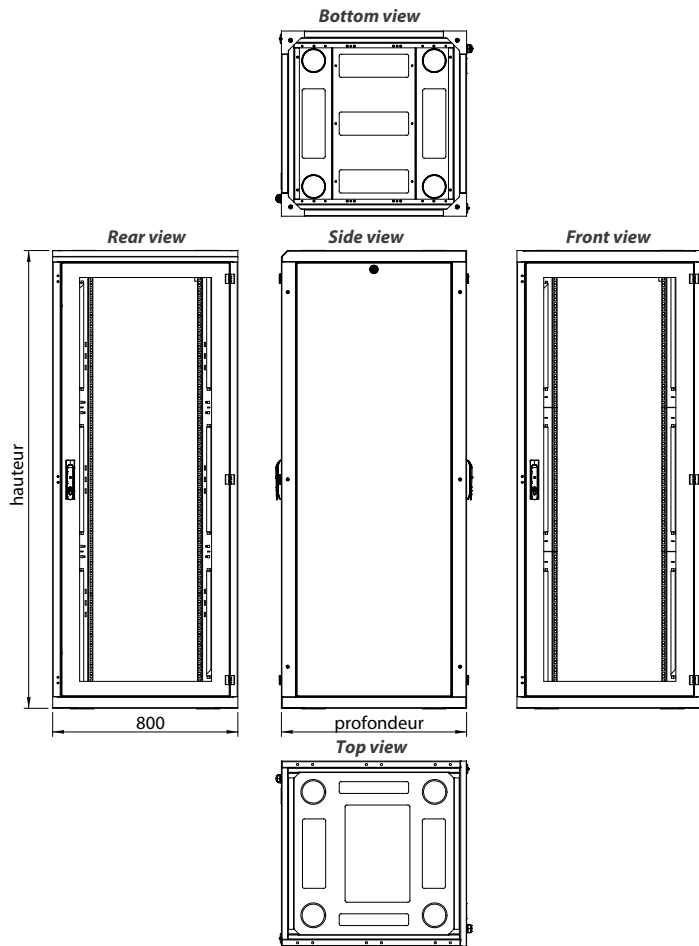
- 1 Front and rear vented door 86% with multipoint swivel handle lock
- 2 2 pairs of 19" sliding extrusions - A-type
- 3 Holders for vertical extrusions
- 4 1 pair of side panels with lock
- 5 Adjustable feet
- 6 Frame of rack
- 7 Removable F-design top plate with cable entry openings
- 8 Removable segmented bottom plate set (consists of C and F-design plates, may differ for other rack footprints) with cable entry openings
- 9 Plastic caps and blank panels for cable entry openings
- GND/earthing kit
- 28 mounting kits
- BONUS: 2 rounded cable grommets with brush DP-KP-RB4 for free

#### OPTIONAL EQUIPMENT (EXAMPLES)

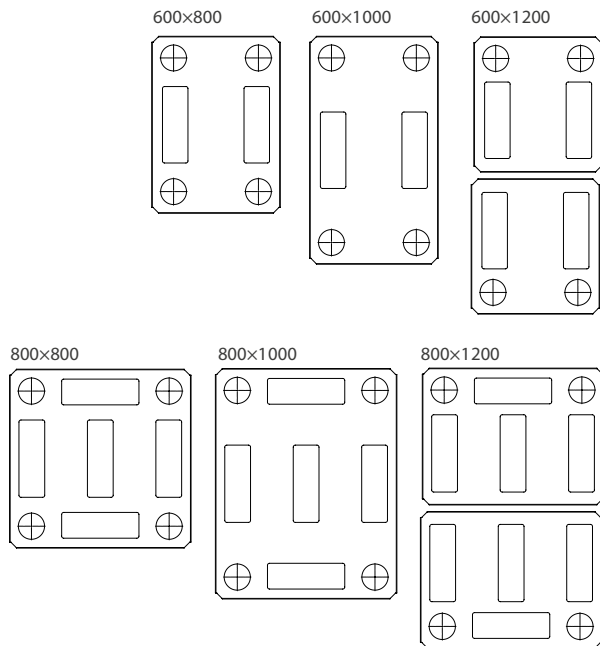
- 10 Plinth
- 11 Plinth with filter
- 12 1 pair of side panels with perforation
- 13 Vertically divided glass door <sup>1,2</sup>
- 14 Vertically divided glass door with perforation <sup>1,2</sup>
- 15 Vertically divided vented door 86% <sup>2</sup>
- 16 Vertically divided perforated sheet steel door <sup>2</sup>
- 17 Vertically divided sheet steel door <sup>2</sup>
- 18 Glass door
- 19 Glass door with side perforation
- 20 Perforated sheet steel door
- 21 Sheet steel door
- 22 Rear panel with module
- 23 Rear panel – 1 piece
- 24 Rear panel – perforated
- 25 Removable B-design top plate with cable entry and ventilation openings
- 26 Removable segmented bottom plate set (consists of B and G-design plates, may differ for other rack footprints) with cable entry and ventilation openings
- 27 Rounded cable grommet with brush
- 28 Blank panels for ventilation openings
- 29 Ventilation unit
- 30 Connecting kit with filter for ventilation unit

<sup>1</sup> not available for 600 mm wide racks

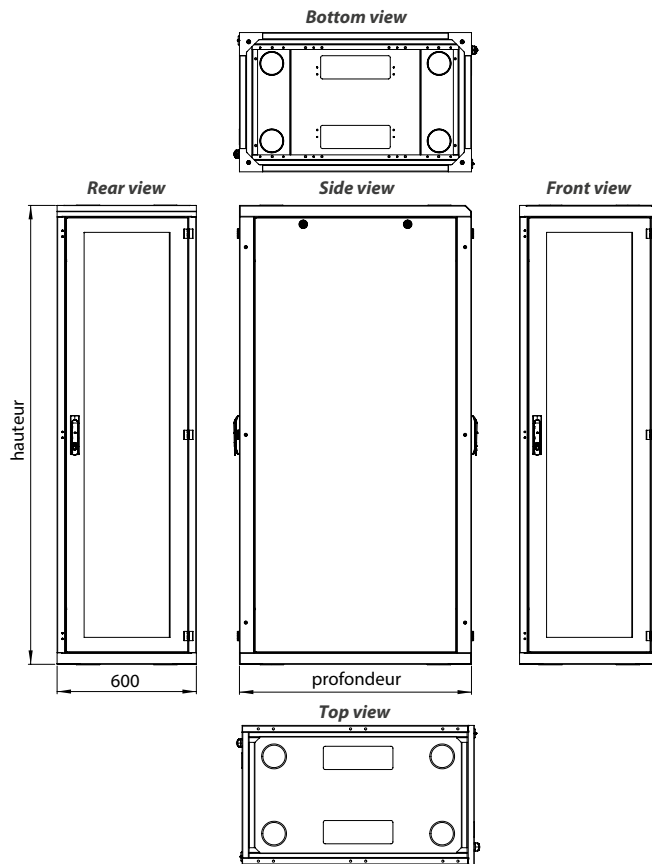
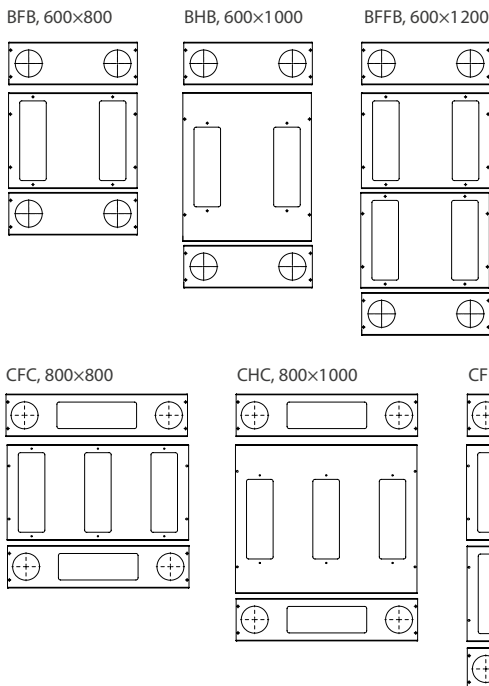
<sup>2</sup> requires multipoint lock



**Top plates – F design**



**Bottom plates**



- Cable entries – racks 800x800, 800x1000 mm**
- 5 openings (300x100 mm) in both top and bottom plates
  - 4 openings 4"(100 mm) in both top and bottom plates
- Cable entries – racks 800x1200 mm**
- 8 openings (300x100 mm) in both top and bottom plates
  - 4 openings 4" (100 mm) in both top and bottom plates
- Cable entries – racks 600x800, 600x1000 mm**
- 2 openings (300x100 mm) in both top and bottom plates
  - 4 openings 4"(100 mm) in both top and bottom plates

- Cable entries – racks 600x1200 mm**
- 4 openings (300x100 mm) in both, top and bottom, plates
  - 4 openings, 4"(100 mm) in both top and bottom plates

All cable entries are covered by blanking panels or plastic caps.  
An individual plates can be defined – go to page - PREMIUM Plates.

Note: All dimensions in mm

**ORDERING AND SHIPPING INFORMATION:** Configure the rack that will meet your requirements. The ordering matrix below will help you in creating the part number. As soon as you have the part number, please contact your Conteg products distributor. Please note, that all **RSF RACKS ARE DELIVERED FULLY ASSEMBLED** and palletized!

## FOLLOW THE STEPS TO SET UP THE DESIRED RSF RACK PRODUCT CODE!

- R
- S
- F
- 
- 1.
- 
- 2.
- /
- 3.
- 4.
- 
- 5.
- 6.
- 7.
- 8.
- 9.
- 
- 10.
- 11.
- 12.
- 
- 13.

| HEIGHT |             |                       |
|--------|-------------|-----------------------|
| Code   | Height in U | External height in mm |
| 1 27   | 27          | 1311                  |
| 42     | 42          | 1978                  |
| 45     | 45          | 2111                  |
| 48     | 48          | 2245                  |
| 52     | 52          | 2423                  |

| WIDTH |             |
|-------|-------------|
| Code  | Width in mm |
| 2 60  | 600         |
| 80    | 800         |

| DEPTH |                   |                    |
|-------|-------------------|--------------------|
| Code  | Depth in mm       | Useful depth in mm |
| 3 8   | 800 <sup>1</sup>  | 790                |
| 10    | 1000              | 990                |
| 12    | 1200 <sup>2</sup> | 1190               |

<sup>1</sup> not available for 52U  
<sup>2</sup> not available for 27U

| FRONT DOOR |  |
|------------|--|
| Code       | Note   |
| 0          | Without door <sup>1</sup>  |
| G          | Glass door   |
| S          | Sheet steel door   |
| P          | Perforated sheet steel door <sup>2</sup>                           |
| T          | Glass door with side perforation <sup>3</sup>                      |
| W          | Vented door (perforation rate 86%) <sup>2</sup>                    |
| A          | Vertically divided glass door <sup>4*</sup>                        |
| B          | Vertically divided glass door with side perforation <sup>6*</sup>  |
| C          | Vertically divided sheet steel door <sup>4</sup>                   |
| D          | Vertically divided perforated sheet steel door <sup>5</sup>        |
| F          | Vertically divided vented door (perforation rate 86%) <sup>5</sup> |
|            | Other  |

<sup>1</sup> no IP protection  
<sup>2</sup> IP20 max.  
<sup>3</sup> IP30 max.  
<sup>4</sup> multipoint lock only  
<sup>5</sup> multipoint lock only, IP20 max.  
<sup>6</sup> multipoint lock only, IP30 max.  
<sup>\*</sup> these options apply for RSF 800 only

| FRONT DOOR LOCK |  |
|-----------------|--|
| Code            | Options  |
| V               | Swivel handle, DIN profile, universal key EK 333   |
| W               | Swivel handle, DIN profile, universal key EK 333, multipoint   |
| G               | Swivel handle with combination lock, individual key  |
| H               | Swivel handle with combination lock, individual key, multipoint  |
| 1               | Electronic door lock with profile half cylinder, cable 4m  |
| 2               | Electronic door lock with profile half cylinder and built in card reader (EM&HID Prox format 125kHz), 4.5m cables included             |
| 3               | Electronic door lock with profile half cylinder, cable 4m, multipoint  |
| 4               | Electronic door lock with profile half cylinder and built in card reader (EM&HID Prox format 125kHz), 4.5m cables included, multipoint |
|                 | Other  |

| IP RATING <sup>1</sup> |                          |
|------------------------|--------------------------|
| Code                   | Note                     |
| 0                      | IP00                     |
| 2                      | IP20                     |
| 3                      | IP30                     |
| 4                      | IP40                     |
| 5                      | IP54 <sup>3</sup>        |
| A                      | A/C ready <sup>2,3</sup> |

<sup>1</sup> According to EN 60529  
<sup>2</sup> Ready for A/C unit installation; recommended when cooling is planned or required; IP54 when A/C unit installed according to instructions  
<sup>3</sup> Multipoint lock only

| LOAD RATING |                 |               |
|-------------|-----------------|---------------|
| Code        | Load rate in kg | Note          |
| 12 A        | 1000            | 27U only      |
| F           | 1500            | Balanced load |

| COLOR |                       |
|-------|-----------------------|
| Code  | Note                  |
| 13 B  | RAL 7035 (light gray) |
| H     | RAL 9005 (black)      |

| EXTRUSIONS |            |           |  |
|------------|------------|-----------|--|
| Code       | Front pair | Rear pair | Note   |
| 4 A        | A          | A         | A-type extrusions, non-divided (600 or 800 mm wide) extrusions without horizontal holders; (for 800 mm provide additional 24U of installation space – valid for racks 42U and taller), adjustable from inside, blank panels not included |
| T          | L          | L divided | L-type extrusions, rear pair divided – for racks 600 mm wide only  |
| U          | P          | P divided | P-type extrusions, rear pair divided – for racks 800 mm wide only, each extrusion with up to 3 additional 19" vertical positions (for 27U only 2 positions), blank panels not included   |

| PLATES <sup>1</sup> |                     |                        |  |
|---------------------|---------------------|------------------------|--|
| Code                | Top plate           | Bottom plate           | Note   |
| 11 A                | P                   | X                      | Top and bottom single piece plates, required for IP54          |
| C                   | no top              | X                      | Open top – for A/C-ready option (table 10)                     |
| E                   | F                   | XXX/XXXX <sup>2</sup>  | Standard – one piece top plate, segmented bottom plate         |
| F                   | F                   | no bottom <sup>3</sup> | Open bottom – ready for installation on raised floor or plinth |
| X                   | no top <sup>3</sup> | no bottom <sup>3</sup> | Open top and bottom, for individual plates go to page 40       |

<sup>1</sup> For more information on plates go to page 40  
<sup>2</sup> 600x800: BFB, 600x1000: BHB, 600x1200: BFFB, 800x800: CFC, 800x1000: CFFC, 800x1200: CFFF  
<sup>3</sup> Open top or bottom results in no IP protection unless otherwise stated

| REAR DOOR / PANEL |  |
|-------------------|--|
| Code              | Note   |
| 0                 | Without panel/door <sup>1</sup>                                    |
| G                 | Glass door   |
| S                 | Sheet steel door   |
| P                 | Perforated sheet steel door <sup>2</sup>                           |
| T                 | Glass door with side perforation <sup>3</sup>                      |
| W                 | Vented door (perforation rate 86%) <sup>2</sup>                    |
| A                 | Vertically divided glass door <sup>4*</sup>                        |
| B                 | Vertically divided glass door with side perforation <sup>6*</sup>  |
| C                 | Vertically divided sheet steel door <sup>4</sup>                   |
| D                 | Vertically divided perforated sheet steel door <sup>5</sup>        |
| F                 | Vertically divided vented door (perforation rate 86%) <sup>5</sup> |
| Y                 | Rear panel – single piece <sup>3,7</sup>                           |
| Z                 | Rear panel – divided, with cable entry <sup>7</sup>                |
| R                 | Perforated rear panel – single piece <sup>8</sup>                  |
|                   | Other  |

<sup>1</sup> no IP protection  
<sup>2</sup> IP20 max.  
<sup>3</sup> IP30 max.  
<sup>4</sup> multipoint lock only  
<sup>5</sup> multipoint lock only, IP20 max.  
<sup>6</sup> multipoint lock only, IP30 max.  
<sup>7</sup> Lock code U or X only  
<sup>8</sup> Lock code U or X only, IP20 max.  
<sup>\*</sup> these options apply for RSF 800 only

| REAR DOOR / PANEL LOCK |  |
|------------------------|--|
| Code                   | Options  |
| V                      | Swivel handle, DIN profile, universal key EK 333   |
| W                      | Swivel handle, DIN profile, universal key EK 333, multipoint   |
| G                      | Swivel handle with combination lock, individual key  |
| H                      | Swivel handle with combination lock, individual key, multipoint  |
| 1                      | Electronic door lock with profile half cylinder, cable 4m  |
| 2                      | Electronic door lock with profile half cylinder and built in card reader (EM&HID Prox format 125kHz), 4.5m cables included             |
| 3                      | Electronic door lock with profile half cylinder, cable 4m, multipoint  |
| 4                      | Electronic door lock with profile half cylinder and built in card reader (EM&HID Prox format 125kHz), 4.5m cables included, multipoint |
| U                      | Lock for rear panel, universal key   |
| X                      | Lock for rear panel, keyed different   |
|                        | Other  |

| SIDE PANELS (BOTH SIDES) <sup>*</sup> |   |
|---------------------------------------|---|
| Code                                  | Note  |
| 0                                     | No side panels  |
| A                                     | 2 side panels, sheet steel, universal key                   |
| B                                     | 1 side panel, sheet steel, universal key                    |
| C                                     | 2 side panels, sheet steel, individual key                  |
| D                                     | 1 side panel, sheet steel, individual key                   |
| E                                     | 2 side panels, sheet steel with perforation, universal key  |
| F                                     | 1 side panel, sheet steel with perforation, universal key   |
| G                                     | 2 side panels, sheet steel with perforation, individual key |
| H                                     | 1 side panel, sheet steel with perforation, individual key  |
|                                       | Other   |

<sup>\*</sup> open side/sides results in no IP protection; side panels with perforation result in protection rating IP20 max.

An example of a correct product code

**RSF-48-80/12A-WWFWA-2EF-H**



| Code          | H in U | Load rating in kg | Dimensions in mm |     |      |              | Dimensions incl. packing in mm |     |      | Gross weight in kg |
|---------------|--------|-------------------|------------------|-----|------|--------------|--------------------------------|-----|------|--------------------|
|               |        |                   | H *              | W   | D    | Useful depth | H                              | W   | D    |                    |
| RSF-27-60/8A  | 27     | 1000              | 1311             | 600 | 800  | 790          | 1500                           | 640 | 840  | 85                 |
| RSF-42-60/8A  | 42     | 1500              | 1978             | 600 | 800  | 790          | 2160                           | 640 | 840  | 112                |
| RSF-45-60/8A  | 45     | 1500              | 2111             | 600 | 800  | 790          | 2290                           | 640 | 840  | 119                |
| RSF-48-60/8A  | 48     | 1500              | 2245             | 600 | 800  | 790          | 2430                           | 640 | 840  | 123                |
| RSF-27-60/10A | 27     | 1000              | 1311             | 600 | 1000 | 990          | 1500                           | 640 | 1040 | 109                |
| RSF-42-60/10A | 42     | 1500              | 1978             | 600 | 1000 | 990          | 2160                           | 640 | 1040 | 135                |
| RSF-45-60/10A | 45     | 1500              | 2111             | 600 | 1000 | 990          | 2290                           | 640 | 1040 | 142                |
| RSF-48-60/10A | 48     | 1500              | 2245             | 600 | 1000 | 990          | 2430                           | 640 | 1040 | 148                |
| RSF-52-60/10A | 52     | 1500              | 2423             | 600 | 1000 | 990          | 2608                           | 640 | 1040 | 156                |
| RSF-42-60/12A | 42     | 1500              | 1978             | 600 | 1200 | 1190         | 2160                           | 640 | 1240 | 149                |
| RSF-45-60/12A | 45     | 1500              | 2111             | 600 | 1200 | 1190         | 2290                           | 640 | 1240 | 170                |
| RSF-48-60/12A | 48     | 1500              | 2245             | 600 | 1200 | 1190         | 2430                           | 640 | 1240 | 178                |
| RSF-52-60/12A | 52     | 1500              | 2423             | 600 | 1200 | 1190         | 2608                           | 640 | 1240 | 189                |
| RSF-27-80/8A  | 27     | 1000              | 1311             | 800 | 800  | 790          | 1500                           | 840 | 840  | 100                |
| RSF-42-80/8A  | 42     | 1500              | 1978             | 800 | 800  | 790          | 2160                           | 840 | 840  | 134                |
| RSF-45-80/8A  | 45     | 1500              | 2111             | 800 | 800  | 790          | 2290                           | 840 | 840  | 141                |
| RSF-48-80/8A  | 48     | 1500              | 2245             | 800 | 800  | 790          | 2430                           | 840 | 840  | 147                |
| RSF-27-80/10A | 27     | 1000              | 1311             | 800 | 1000 | 990          | 1500                           | 840 | 1040 | 124                |
| RSF-42-80/10A | 42     | 1500              | 1978             | 800 | 1000 | 990          | 2160                           | 840 | 1040 | 157                |
| RSF-45-80/10A | 45     | 1500              | 2111             | 800 | 1000 | 990          | 2290                           | 840 | 1040 | 165                |
| RSF-48-80/10A | 48     | 1500              | 2245             | 800 | 1000 | 990          | 2430                           | 840 | 1040 | 173                |
| RSF-52-80/10A | 52     | 1500              | 2423             | 800 | 1000 | 990          | 2608                           | 840 | 1040 | 184                |
| RSF-42-80/12A | 42     | 1500              | 1978             | 800 | 1200 | 1190         | 2160                           | 840 | 1240 | 175                |
| RSF-45-80/12A | 45     | 1500              | 2111             | 800 | 1200 | 1190         | 2290                           | 840 | 1240 | 198                |
| RSF-48-80/12A | 48     | 1500              | 2245             | 800 | 1200 | 1190         | 2430                           | 840 | 1240 | 208                |
| RSF-52-80/12A | 52     | 1500              | 2423             | 800 | 1200 | 1190         | 2608                           | 840 | 1240 | 220                |

\* Height in mm without feet; for feet add 16-45 mm

