



## C-RAIL-CLIP

Drop-Off clip

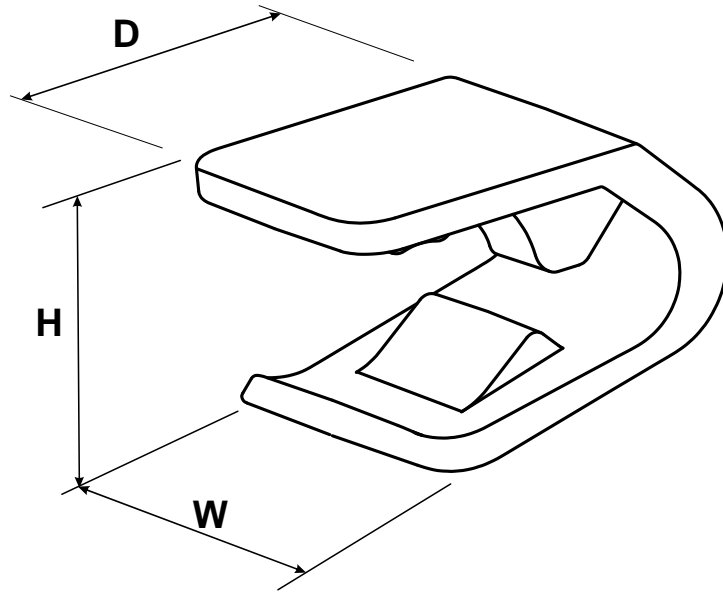
The C-RAIL-CLIP product is an additional component of the individual messenger based C-RAIL aerial access core cabling system.

It secures cable drop point, by protecting it from any shifting caused by heavy swinging of the messenger and / or cable under heavy wind load.

C-RAIL-CLIP product is made from polyamide (PA6) dielectric material, absolutely in line with the *real all-dielectric concept* of C-RAIL system.

The messenger-specific design of the product ensures single hand, easy and tool-less installation which is vitally important for activities that can only be executed at the top of poles.

# PRODUCT DETAILS



## C-RAIL-CLIP

### PRODUCT INFORMATION

Net weight	15 g / pc
Material	PA6

### DIMENSIONS

D:	27,0 mm
W:	20,0 mm
H:	18,0 mm

### PACKAGING INFORMATION

Box Sizes (/ 50 pcs)	12 cm x 16 cm x 10 cm
----------------------	-----------------------

### ORDERING DESCRIPTION

C-Rail-Clip product can be ordered in 50 pcs packs, packaged in cardboard boxes.

MPQ (Package Quantity)	50 pcs
MOQ (Minimum Ordering Quantity)	100 pcs (2 boxes)